

# Full Quieting

The Official Journal of The Bellbrook Amateur Radio Club



October 2024 — Issue 38

## In This Issue

<a href="#">From the President &amp; Editor</a> .....	<a href="#">1</a>
<a href="#">Member Interview Questions</a> .....	<a href="#">2</a>
<a href="#">What's Up BARC?</a> .....	<a href="#">3</a>
<a href="#">Chili Cookoff Dinner Info</a> .....	<a href="#">6</a>
<a href="#">Officer, Director, and Coordinator Inputs</a> .....	<a href="#">7</a>
<a href="#">BARC Event Calendar</a> .....	<a href="#">8</a>
<a href="#">BARC Movie and Dessert Night</a> .....	<a href="#">9</a>
<a href="#">Important Election Information</a> .....	<a href="#">10</a>
<a href="#">Lunch Bunch Plans for the Month</a> .....	<a href="#">14</a>
<a href="#">Lunch Bunch Calendar</a> .....	<a href="#">15</a>
<a href="#">"Friendship Among Men..."</a> .....	<a href="#">16</a>
<a href="#">W8LLY Antenna Mysteries (Part 2)</a> .....	<a href="#">21</a>
<a href="#">Amateur License Test Questions</a> .....	<a href="#">24</a>
<a href="#">Editorial Policy and Style Guidelines</a> .....	<a href="#">27</a>
<a href="#">Miscellaneous BARC Information</a> .....	<a href="#">29</a>

## From the President & Editor

Greetings from your President and Editor. You can feel that we are transitioning into full-on Fall mode. Our BARC elections are coming up in December with nominations already being sought. My term as President is over on December 31st. I won't be on the ballot due to term limits, so please consider who you would like to lead us from January onward and put in a nomination. Do the same for the other 4 positions up for election. There's a modified method of nominating members that should give BARC a larger choice for each of the 5 offices being filled (Page 10).

On the subject of elections, apologies for waxing politically here, it's usually in poor form in the amateur radio community. However, this is a critical election period for the nation. It's a time for somber reflection on where our country is headed. A couple of questions to ask: 1) are you better off today than you were on Jan 1 2020, and 2) are your news sources truthful? Many times what was labeled "misinformation" turned out to be true after the passage of time. Don't get caught up in the label; if someone is labeling something misinformation, scrutinize the motives of the accuser before accepting the claim. There are so many streaming news sources today that provide alternative viewpoints to the normal media. Don't get caught in a stovepipe. Your vote matters, so just inform yourself first!

Enjoy the fall, it may be a short one? Time for some POTA events and other outdoor activities before the frigid winter is upon us. I may take my 20W Xiego G-90 out with the big antenna (page 20) and see what happens.

And, I hope to see you at the Chili Cookoff at October's General Membership Meeting. Please note the time is earlier so don't be late!

**73, Ray Hitt, [N8VMX](#)**  
BARC President & Full Quieting Editor



## 2024 BARC Officers and Directors

President: Ray Hitt, [N8VMX](#)

Vice President: Jim Totten, [WA8HUB](#)

Secretary: Jim Gifford, [N8KET](#)

Treasurer: John Westerkamp, [W8LRJ](#)

Senior Director: Jim Lusk, [KC8EFD](#)

Junior Director: Bob French, [AC8ZU](#)

## 2024 Coordinators

Clubhouse: Jim Lusk, [KC8EFD](#)

Comm Center: John Westerkamp, [W8LRJ](#)

Contesting: Ken Gunton, [W8ASA](#)

Education: Paul Sharp, [WS8R](#)

Emergency Preparedness: Jim Lusk, [KC8EFD](#)

Field Day: Glenn Rodgers, [W8IO](#)

Full Quietening Editor: Ray Hitt, [N8VMX](#)

Hospitality & Librarian: Natinka Siwecki, [KD8NUA](#)

IT: John Westerkamp, [W8LRJ](#)

Lunch Bunch: Jim Totten, [WA8HUB](#)

Net: Paul Sharp, [WS8R](#)

Public Service: Don Parker, [KB8PSL](#)

QSLs: Roger Hoffman, [WB9BXT](#)

Repeater: Russ Roysden, [N8NPT](#)

Tech Night: Bob French, [AC8ZU](#)

Webmaster: John Westerkamp, [W8LRJ](#)

## BARC Net: Every Sunday, 8 PM Local

147.045 (+) (118.8 PL enc and dec) [Alt = 443.675]

## Directions to BARC Clubhouse and Comm Center

Rooms 1 & 3 Lower Level Sugar creek Elementary School

51 S. East Street, Bellbrook (One block east & one block south from the traffic light in downtown Bellbrook)

Enter at South end of building

# Member Interviews

BARC wants to hear from you!

Whether you're a long-time BARC member or a brand new one, young or old, please tell us about yourself. Here are some simple guidelines, although you're free to use whatever format you're comfortable with.

This page is all about you. It's your chance to let BARC members to get to know you better.

Here's are a few sample questions to help get you started, but you can write whatever you want.

Please send us some pictures of anything you want BARC to see (you, station, antennas, pets, family, anything)

- When you were first licensed?
- How did you learn about Ham Radio (HR)?
- Why did you become a Ham?
- What are your current HR interests?
- What are you most passionate about regarding HR?
- Tell us about your stations (past, present, and future)
- What was the most exciting thing that happened to you in HR?
- What do you do for a living?
- Would you like to say something about your family?
- Do you have other hobbies or interests?
- Any other comments for BARC?



# What's Up BARC?

What's Up BARC?

Ray Hitt, [N8VMX](#)

Announcements regarding any member news including: new equipment, antennas, grandchildren, children, pets, operating news, etc.



## Welcome New BARC Members!

Brent Kerlin, studying

Adam Yankush, General, W1AA Y

## BARC Held Fall Field Day / OSPOTA Event at Hueston Woods State Park

Bob French, AC8ZU, reserved the Hueston Room at Hueston Woods State Park for BARC use for the Ohio Parks on the Air event on Saturday, September 7th, from 10am until around 3pm. The room was much like an echo chamber but the weather was beautiful, so instead we took some tables and chairs outdoors and set up just outside the building. There were 5 or 6 stations which created some interference between us on the bands, but once we coordinated what bands we were on, the situation improved. Bob consolidated all of our contacts for a single submission, because we were operating as W8DGN, our club call. Didn't make a ton of contacts, but had a lot of fun in testing out our antenna and radio setups. We will investigate the use of bandpass filters the future to reduce interference. By the way, Hueston Woods was a beautiful location. And now, some photos!



# What's Up BARC? (continued)

## BARC Held Fall Field Day / OSPOTA Event at Hueston Woods State Park (continued)



# What's Up BARC? (continued)

## BARC Held Fall Field Day / OSPOTA Event at Hueston Woods State Park (continued)



## BARC September Tech Night

On Wednesday, Sept 25, a very informative presentation was given by Bob Frey on the subject of Fox-hunting and Radio Orienting (Direction Finding). Thanks Bob, for a superb presentation!


The slides are available on the BARC Website at <https://bellbrookarc.org/wp/wp-content/uploads/2024/09/Foxhunting-Radio-Orienting-by-Bob-Frey.pdf>



Foxhunting + Radio Orienting (ARDF)  
Past Present Future?

TOPICS FOR TODAY

1. What is Foxhunting?
2. Who can Foxhunt?
3. Types of Hunts
4. What I need either Mobile or On-Foot
5. Mobile Hunts/Hunting on the Cheap
6. Hi Tech - KrakenSDR- Newest Doppler
7. Radio-Orienting - The on-foot hunt
8. Hunting on the Cheap
9. Transmitter controllers
10. Changing Equipment



# What's Up BARC? (continued)

## BARC Family and Friends Chili Dinner

On **Thursday October 17, 2024 at 6:30 PM** (note the early start time) at the BARC General Meeting we will have our Annual BARC Family & Friends Chili Dinner followed by a short meeting.

BARC members, family and friends are invited to join in our **Annual BARC Chili Dinner**. You can make your favorite chili recipe to share or bring crackers, onions, cheese, sour cream, salsa, a dessert, a side dish: the list is endless and we love to eat!

October is the perfect month for a chili dinner. Who am I kidding, chili is good anytime so please plan to join us in October for the BARC Annual Family & Friends Chili Dinner. It will be a great time to get to know and visit with our new and longstanding members.

P.S. Don't worry we will have hot, very hot and mild chili. Something for everyone!

**Tink**  
**KD8NUA**



# Officer, Director, and Coordinator Inputs

**Treasurer: John Westerkamp, [W8LRJ](#):** Between additional auction sales from the estate of Fred Stone (W8LLY), Kroger Rewards, and several new members, we were once again positive for the month. Spectrum Internet was our main expense and they have once again raised prices. We will be switching to Metronet hopefully before you read this.

We continue to be in great financial shape.

**Repeater: John Westerkamp, [W8LRJ](#):** There are two regular Nets on the BARC 2m repeater. The Worldwide Friendship Net is on from 10 am until 11 am every day of the year. Our own BARC Net meets every Sunday evening at 8:00 pm. The 2m repeater is on 147.045 MHz with a positive offset and 118.8 Hz tone.

A reminder that when using Allstar or Echolink, if the repeater is in constant use and unable to drop the carrier, a local user will not be able to send a \*73 to disconnect and the connection will remain active forever! I have since taken steps to prevent this, but if it happens to you, please text me at 937-271-3119 and I can disconnect the node for you. You can also use the Contact Form on the website to reach me.

**Website: John Westerkamp, [W8LRJ](#):** The BARC Chili Cook-Off and elections are next up so be sure to watch the website for more information. Our new process should provide a slate of nominees after the November meeting.

And don't forget about the Member Forum where you can ask questions and make announcements. The website has a new section *Mentors and Experts*! You can find a list of experts by selecting *Mentors and Experts* under the *Membership* tab. Send your questions via the *Contact* page for our *Experts*!

**Communication Center: John Westerkamp, [W8LRJ](#):** With cooler weather, we hope to finally complete the updates to the 80-60-40m dipole and get it back in the air and on-line.

We are also changing Internet service providers to Metronet. This will be a fiber service with symmetric upload and download speeds of 300 Mbps. We will also have a static IP address making it easier to find us and provide services from the clubhouse. And it is less expensive than Spectrum!

Future plans include updating all the grounding and bonding to move the lightning arrestors outdoors, adding some ground rods, and bonding everything together with the electrical service ground. Stay tuned!

**Secretary: Jim Gifford, [N8KET](#):** September started with Connie and I out of town, so many thanks to Glenn Rodgers W180 taking notes for me at the planning meeting so that I could send them out. I also took the minutes at our membership meeting. Glenn and I met and I helped plan the Winter Field Day in January. I made reservations at Hills and Dales, Twin Oak shelter, for January 25, 2025. I am also hard at working setting up our special event December 17 in honor of the Wright Brothers first flight. I also wrote an article for the newsletter on QSL cards.

**BARC Net Manager: Paul Sharp, [WS8R](#):** Every Sunday at 8:00 PM you can listen to and participate in the exciting BARC Net, on 147.045. For the 5 weeks in September 2024 there were approximately 71 check-ins lasting 167 exciting and informative minutes. Topics range from Open Mike, Parks on the Air, did you participate in the Air Force Marathon, did your power go off during Hurricane Helene, tell us about your longest contact and what aspect do you like most about Ham Radio. We often have non BARC members checking in to enjoy the Net.



# BARC September 2024 Event Calendar

**Tue October 1, 2024**

**6:30pm POTA SIG Meeting**..... Where: BARC Clubhouse

**Thu October 3, 2024**

**7pm Planning Meeting**..... Where: BARC Clubhouse

**Sun October 6, 2024**

**8pm Weekly Net** ..... Where: 147.045+ (118.8 Hz tone)

**Tue October 8, 2024**

**11:15am Lunch Bunch**..... Where: Marion's Pizza

**Sun October 13, 2024**

**8pm Weekly Net** ..... Where: 147.045+ (118.8 Hz tone)

**Thu October 17, 2024**

**6:30pm Membership Meeting/Chili Cookoff** ..... Where: BARC Clubhouse

**Sun October 20, 2024**

**8pm Weekly Net** ..... Where: 147.045+ (118.8 Hz tone)

**Tue October 22, 2024**

**11:15am Lunch Bunch**..... Where: Red Robin

**Wed October 23, 2024**

**7pm Tech Night** ..... Where: BARC Clubhouse

**Thu October 24, 2024**

**7pm Dessert & Movie Night**..... Where: BARC Clubhouse

**Sun October 27, 2024**

**8pm Weekly Net** ..... Where: 147.045+ (118.8 Hz tone)







## BARC Movie and Dessert Night



We've had quite the selection of movies this year and we only have one movie left of the **2024 BARC Dessert & Movie Night Season** and we're looking forward to **2025**. We try to include movies from different genres (comedies, historical, Sci-Fi, mysteries, Rom Coms, etc.), styles, old movies and newer releases. We really appreciate any recommendations, from you, to include on our future movie list.

We hope you can join us for our last movie this season, and don't forget to put BARC movie nights on your 2025 calendar.

As always our movie nights are held on the fourth Thursday of each month January through October at 7:00 PM in the BARC Clubhouse. We take November and December off for the holidays. At each movie night we pop up, *fresh*, BARC's famous popcorn and you never know what we will come up with for dessert!

### Upcoming Dates for Our 2024 BARC Movie & Dessert Nights:

✓ October 24, 2024 **Ghost Busters: Afterlife**

### Past movies and desserts:

✓ January 25, 2024 **The Adventures in Baby Sitting**

✓ February 22, 2024 **Murder on the Orient Express**

✓ ~~March 28, 2024~~ ~~**Paul, Apostle of Christ**~~ **Cancelled due to scheduling conflict**

✓ April 25, 2024 **The Meg**

✓ May 23, 2024 **Mission Impossible: Dead Reckoning Part One**

✓ June 27, 2024 **The Call of the Wild**

✓ July 25, 2024 **Father Goose**

✓ August 22, 2024 **The Lost City**

✓ September 26, 2024 **The Meg II: The Trench**



**We'll see you in October at the Movies!**

Tink/KD8NUA



# Important Election Information

*{Editor— This information is provided in support of the upcoming club election in December}*

Dear Members of the Bellbrook Amateur Radio Club (BARC),

The time has come for the BARC Nomination and Election process for 2025. We are currently soliciting nominations for the following seats:

## **FOUR (4) OFFICER SEATS:**

**President**

**Vice President**

**Treasurer**

**Secretary**

## **ONE (1) MEMBER-AT-LARGE SEAT:**

### **Junior Director (2 year commitment)**

The Junior Director consents to a 2 year commitment, as the Senior Director seat for an upcoming year is assumed by current year Junior Director.

This year's (2024) Junior Director, Bob French AC8ZU, will assume the Senior Director seat for 2025.

A listing of the duties of each office/seat can be found in the appendix following this notice.

To be eligible, an Officer or Member-at-Large must be a Full Member of the club in good standing (no lapse in valid membership per the Treasurer's records) for a minimum of one (1) year prior to their election.

(Note: A Full Member, as defined by the BARC Constitution and By-Laws, is one who holds a valid FCC amateur radio operator's license.)

Associate Members (those with no license/call sign), or Full Members who have not reached their first membership anniversary by BARC's election day (19 December 2024), are not eligible to run.

To nominate eligible BARC members for any of the seats above you may:

- 1) Send the name, call sign and associated seat for a nomination via email to one of the Nomination Committee members listed below. Please use subject line: "BARC 2025 NOMINATION"
- 2) Write the name, call sign and associated seat for a nomination on a pre-printed nomination form available at the Clubhouse. Place the completed form in a designated drop-box at the clubhouse, to be located on the President's desk.
- 3) Participate in scheduled or impromptu call for nominations by the Nominations Committee, in writing, at regular monthly Planning or General Membership Meetings, or other clubhouse events, between now and the closing of nominations at the November General Membership Meeting.



## Important Election Information (continued)

The aforementioned drop-box will be available following the September BARC "Movie Night" event the evening of 26 September 2024.

If no pre-printed forms happen to be available, you may simply write out your nomination information on a piece of paper. See the sample on page 13 which can be printed and used.

A few additional details to note:

- You may nominate yourself to run for a seat.
- Nominating a BARC member in writing using the drop-box is inherently anonymous.
- Nominations are to close with the passing of an appropriate motion at the BARC 2024 November General Membership meeting.
- The Nominations Committee can and will handle verifications of eligibility, and seek the consent of the submitted nominees.
- A consenting nominee, if nominated for multiple seats, will be asked to choose only one for the election.
- Please direct any questions to the Nominating Committee (see below).

All verifications of eligibility must be completed, and consent of the nominees must be obtained in time for inclusion of the final slate in BARC's December 2024 Full Quieting newsletter. Any eligible nominee who has not consented by that time will be dropped from the slate. This will ensure BARC members have ample time to consider their vote prior to the club elections to be held at the December General Membership Meeting, Thursday, 19 December, 2024.

Newly Elected Officers, the Junior Director, and the transitioned Senior Director will assume their office/seat effective 1 January 2025.

Thank You and 73,

BARC Nominating Committee

Steve Siwecki KD8NUC  
[KD8NUC@Outlook.com](mailto:KD8NUC@Outlook.com)

James Lusk KC8EFD  
[jlusk1947@gmail.com](mailto:jlusk1947@gmail.com)

***{Editor—Next page, the Appendix from the BARC Constitution describes the Officer Positions up for election}***



# Important Election Information (continued)

## APPENDIX

(from the BARC Constitution and By-Laws)

### 2.4.7 Duties of Officers and Members-at-Large

#### 2.4.7.1 Duties of the Club President

The President shall:

- Preside at all general, special, planning and executive meetings
- Conduct all meetings in accordance with this Constitution and By-Laws
- Perform all other duties usually pertaining to the office of the President

#### 2.4.7.2 Duties of the Club Vice-President

The Vice President shall:

- Assist the President
- Preside in the President's absence
- Perform all other duties usually pertaining to the office of Vice President

#### 2.4.7.3 Duties of the Club Secretary

The Secretary shall:

- Record and retain accurate minutes of all general Club meetings
- Execute all Club correspondence as necessary
- Retain the Club Constitution and By-Laws, Policies and Procedures and other Club documents, and have the same available at every meeting for consultation upon request
- Update the Club Constitution and by-laws to reflect amendments, revisions, and additions approved by the Club
- Abide by section 6.1 Succession of Office

#### 2.4.7.4 Duties of the Club Treasurer

The Treasurer shall:

- Receive all monies of the Club
- Keep an accurate account of all receipts and expenditures



# Important Election Information (continued)

- Submit a budget for the following calendar year to the planning committee no later than the October meeting
- Submit annual IRS 501(c3) reports as required by law
- Prepare a monthly financial report for each regular general membership meeting
- Maintain an accurate membership roster
- Present club financial records annually to the Auditing Committee
- Submit the Auditing Committee report to the Club Secretary
- Recommend to the Executive Committee, for approval, a Deputy Treasurer who:
  - ◊ Is a Full member in good standing
  - ◊ Will have the authority to make purchases for the Club in the absence of the Treasurer
  - ◊ Will NOT have voting authority on the Executive Committee.
- Abide by section 6.1 Succession of Office

### 2.4.7.5 Duties of the Junior and Senior Directors

The Junior and Senior Directors Shall:

- Be aware of concerns and opinions of the general membership
- Serve as a voice for the general membership at Executive and Planning Committee meetings

(Note: Additionally, the Senior director serves on the (financial) Auditing Committee.)

*{Editor—The following is a sample BARC Nomination form and is valid for use}*

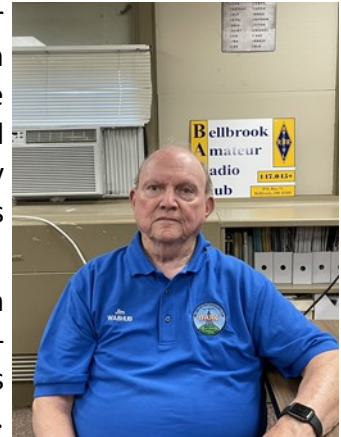
<b>BARC NOMINATION FORM – 2025</b>
<input type="text"/>
<b>SEAT (President, Vice President, Treasurer, Secretary, or Junior Director</b>
<input type="text"/>
<b>NOMINEE NAME</b>
<input type="text"/>
<b>NOMINEE CALL SIGN</b>



# Lunch Bunch

Jim Totten, [WA8HUB](#)

Hello my fellow lunch lovers. October 2024 is here. And time to renew our lunch meetings for this new month. To recap: Our club meetings are on Thursdays. The Planning meeting is the first Thursday of the month and the General meeting on the Third Thursday. Our Lunch Schedule is the Second and Fourth Tuesday of each month. If a scheduled Tuesday gets slammed by some unforeseen event the lunch is just cancelled. The invitation messages will go out Wednesday or Thursday of the previous week.



Now, how will the lunches be selected? Accompanying this information page is the same chart in last month's FQ listing our current set of restaurants. The October restaurants are highlighted. I updated all of the dates for all of the restaurants on our list. This includes the restaurants in 2025. This published list is the order we will select each lunch day. You now know what the whole order is and know what's coming next.

September was a delicious month Our first stop was on Sept. 10, 2024 at Culp's Cafeteria, located on Carillion Blvd in Dayton, OH. The process for the restaurant was very different then when we ate there in January. Instead of ordering at the counter we had servers taking orders and delivering our meals. As usual nobody left hungry. Our second September lunch was at newest City Barbecue on Dorothy Lane in Kettering, OH. Plenty of parking and the food was just as good as any City Barbecue.

October will have some old favorites. On the 8th we'll eat at Marion's Piazza in Beavercreek. On October 22nd we are lunching at Red Robin in Beavercreek. Red Robin is famous for their bottomless fries.

That's a wrap for this month. Happy eating.

**73, Jim, [WA8HUB](#)** {Editor's note: Restaurant addresses are below and on next page.}

Click hyperlinks for more info and maps

[Tuesday, Oct 8<sup>th</sup>, 11:15am](#)

Photos on Tripadvisor

**Marion's Piazza**  
American restaurant in Beavercreek  
www.marionspiazza.com

88 Reviews Open Closes at 11 PM

Website Directions Call Map

1320 N Fairfield Rd, Beavercreek, OH 45432-2698  
+1 937 429 3393

Sat 11 AM–11 PM  
Sun 11 AM–10 PM  
Mon 11 AM–11 PM  
Tue 11 AM–11 PM  
Wed 11 AM–11 PM  
Thu 11 AM–11 PM  
Fri 11 AM–11 PM

[Tuesday, Oct 22<sup>nd</sup>, 11:15am](#)

Photos on Tripadvisor

**Red Robin Gourmet Burgers**  
American restaurant in Beavercreek  
locations.redrobin.com/oh/beavercreek/198/

139 Reviews Open Closes at 11 PM

Website Directions Call Map

2671 Fairfield Commons Dr, Beavercreek, OH 45431-3775  
+1 937 320 9800

Sat 11 AM–11 PM  
Sun 11 AM–10 PM  
Mon 11 AM–10 PM  
Tue 11 AM–10 PM  
Wed 11 AM–10 PM  
Thu 11 AM–10 PM  
Fri 11 AM–11 PM



# Lunch Bunch 2024 List

Jim Totten, [WA8HUB](#)

Date	Restaurant	Address	City	Phone Number
11/26/24	Cherry House Cafe	1241 Meadowbridge Dr.	Beavercreek, OH 45434	(937) 320-6200
12/10/24	Another Broken Egg Cafe 7:00 am to 2:00 pm	2453 Esquire Dr.	Beavercreek, OH 45431	(937) 912-5074
01/14/25	China Garden Buffet	112 Woodman Dr. Airway Shopping Center	Dayton, OH 45431	(937) 781-9999
01/28/25	First Watch 7:00 am to 2:30 pm	5245 Cornerstone North Blvd	Sugarcreek Twp, OH 45440	(937) 732-9013
02/11/25	Submarine House	3195 Dayton-Xenia Rd.	Beavercreek, OH 45434	(937) 429-8650
02/25/25	Roosters Wings	2430 N. Fairfield <i>The Shoppes at FC</i>	Beavercreek, OH 45431	(937) 702-9500
03/11/25	Golden Corral Buffet and Grill	2490 Commons Blvd.	Beavercreek, OH 45431	(937) 613-5478
03/25/25	Yaffa Grill Mediterranean Food	2844 Colonel Glenn Hwy	Fairborn, OH 45324	(937) 429-4959
04/08/25	Chic-Fil-A	5301 Cornerstone N Blvd	Sugarcreek Township, OH 45440	(937) 439-1700
09/10/24	Culp's Cafeteria	1000 Carillon Blvd	Dayton, OH 45409	(937) 293-2841
09/24/24	City Barbecue	2001 E. Dorothy Lane	Kettering, OH 45420	(937) 200-1006
<b>10/08/24</b>	<b>Marion's Piazza</b>	<b>1320 N Fairfield Rd.</b>	<b>Beavercreek, OH 45432</b>	<b>(937) 429-3393</b>
<b>10/22/24</b>	<b>Red Robin</b>	<b>2671 Fairfield Commons Blvd.</b>	<b>Beavercreek, OH 45431</b>	<b>(937) 320-9800</b>
11/12/24	Beavercreek Pizza Dive	4021 Dayton-Xenia Rd.	Beavercreek, OH 45432	(937) 431-8669



# “Friendship Among Men Brings Peace Among Nations.”

Jim Gifford, [N8KET](#), BARC Secretary

“Friendship Among Men Brings Peace Among Nations.” What an odd statement to introduce an article about QSL cards. Read the text below to discover how pertinent the quote is.

Alongside several other BARC members, I had the honor of helping Kat, Fred Stone’s daughter, clean out his many years of ham radio equipment and memories. For many of you new to BARC, Fred, W8LLY, was instrumental in founding our radio club. He was a mentor’s mentor. Fred, along with my good friend, Henry Bussey, helped me become a ham years ago.

Among the many treasures we retrieved was a file box, heavy with QSL cards. Some of the cards were received by Fred, but examination reveals the file’s contents is a family affair—all received by members of the Stone family over several decades.

What is a QSL card, you ask? I know many of you who have been behind the ham radio mic for many years know the answer, but let me explain for all you newer hams.

Q signals were developed in the early days of radiotelegraph communication as short, three-letter substitutions, or shorthand, for longer questions or statements. QSL? means, “Do you confirm my transmission.” Without the question mark it is a statement: “I confirm receipt of your transmission.”

On the ARRL web pages we learn, “– Sending a QSL card is the final handshake of a contact. QSL cards serve as proof of a two-way contact needed for certain awards. – Exchanging QSL cards has been a long tradition in ham radio, and it is fun to get cards from other contacted hams.”





## “Friendship Among Men Brings Peace Among Nations.” (continued)

That online depository of knowledge and conjecture, Wikipedia, has the following information: “The standardized card with callsign, frequency, date, etc. may have been developed in 1919 by C.D. Hoffman, 8UX, in Akron, Ohio.” So, now, you will be ready when that questions appears on Jeopardy!

With the advent of services, such as Logbook of the World, QSL cards are not as prevalent as they formerly were. Plus, the cost of postage has increased greatly. How many of you remember 1-cent postcards or 5-cent airmail? Some came through QSL bureaus where batches are collected in one location and for a fee, distributed in mass mailings.

A standard QSL 3.5” by 5.5” card contains the call sign, geographic location, frequency, time and date, mode of transmission (i.e., SSB, CW, AM, RTTY, etc.), and a signal report. It may include ITU and CQ zones. Many have personalized hand-written notes. Some cards are neatly typed. The receiver and transmitter are often listed along with antenna and the power output.

You will notice a couple other shorthand devices on a card: PSE QSL and QSL TNX. “PSE QSL” indicates that you are requesting a QSL: “Please QSL.” “QSL TNX” indicates that you are answering a QSL: “Thanks for QSL.”

Wikipedia also contains the following statement: “Although some QSL cards are plain, they are a ham radio operator's calling card and are therefore frequently used for the expression of individual creativity—from a photo of the operator at their station to original artwork, images of the operator's home town or surrounding countryside, etc. Consequently, the collecting of QSL cards with especially interesting designs has become a frequent addition to the simple gathering of printed documentation of a ham's communications over the course of their radio career.”

A few days ago I stopped at the clubhouse to file some documents as part of wearing my secretarial hat. I spied Fred's QSL file box, among the collected radios and antennas and stuff on our tables, and I took a couple hours to thumb through memory lane.

Each of the cards represent a conversation between two ham radio operators, transmissions recorded for historical posterity. The cards represented contacts from all over the globe over a 75-year history. If you knew Fred like I remember him, I could just imagine him sitting next to me there at BARC as I thumbed through the QSLs, and he would chuckle (hi hi hi) and probably describe many of the contacts. One card was a QSL from Fred in Bellbrook to his mother in Portsmouth, Ohio, congratulating her on getting her license. It was really a family affair, and it still is with Fred's daughter and son.

Rose Rybachek sent a card in 1966 from Fairbanks, Alaska. She is still active on QRZ database, and on her QRZ page she wrote the following statement “I was first licensed in 1966 in North Pole, Alaska. I have kept my KL7FQQ call since that time. I lived in North Pole until 2005, when I moved (with my husband Stan KL7FQR), to the Spokane, WA, area.”

Compared to the hostilities of the last few weeks between factions in southern Lebanon and Israel, a 1967 QSL from OD5LX, Beirut, Lebanon, (operator: Tadeusz Truskowski SK) reflects a more peaceful time years ago.

From Bolivia CP6GQ comes a card signed “MUCHOS 73's.”



“Friendship Among Men Brings Peace Among Nations.” (continued)



## “Friendship Among Men Brings Peace Among Nations.” (continued)

A QSL card in 1967 from Laos, from operator XW8AX is special because of the increasingly troubled world situation in that year. The History Channel reports there were more bombs dropped in Laos during hostilities in neighboring Vietnam than the whole of WWII. Here was a ham operator enjoying his radio as chaos was happening in his country.

Other cards included 9N1MM from Kathmandu, Nepal; 9G1GA from Ghana West Africa; 7X0AH in Algeria; SM6AWE “the Swedish ham,” 5A4TK in Tripoli, F3KW in France, GD6IA Isle of Man, and CM2JC in Cuba (1946).

GW3SFC in South Wales replied that he was operating 600 watts on a KW200A transmitter. His current QRZ page lists him as a retired electronic circuit test engineer. Joe Magee in North Ireland, operating as GI3VXQ, wrote a kind note on his QSL, as did many writers of QSL cards.

Many cards came from active or retired members of one military service or another. One from the Royal Air Force Amateur Radio Service pictures British airpower from WWII to the date of the correspondence in 1967.

Some cards represented receipt from DXpeditions, such as C31GN from Principat D’Andorra in 1973. A DXpedition is a short period of time where a ham or group of hams travel to a remote location, set up equipment, and transmit to allow other hams at their QTHs to receive QSLs from a location where no hams live or operate, such as a secluded island in the middle of the Pacific Ocean. For newer hams, QTH means your home and QST refers to “calling all stations.”

A couple QSL cards had call signs for both a husband and wife, K8TVW and K8TVX on the same card. The card from Thelma, K8TVX indicated that the “OM = silent key Aug 65.” For those readers who are new hams, OM is lingo for the “old man,” which is NOT a derogatory term. “YL” is for his wife, the “young lady.” If you see the term, “silent key (SK),” it is used for a ham who has died.

One card headlines, “Friendship Among Men Brings Peace Among Nations.” Is this not, in large part, actually, what ham radio and exchanging QSL cards is all about?

The cards I viewed contained photos of important places in the represented countries; some had cartoons; a few pictured monuments; some sported fancy graphical call signs, information about the sender, university logos, state outlines, Bible verses, military logos and photos, and photos of radio stations and shacks.

Several cards came from countries where the listed name has been changed or where the country itself no longer exists. The oldest card I read was from 1936 (W5DVR, 75 meters, Little Rock, Arkansas).

One card was received in 1973 from UA4NA, Russia, and it bears the photo of A.S. Popov with the caption, “7 May 1895, Inventor of Radio.” Wikipedia has his name as Popov, and the article states, “built an early radio receiver in the form of a lightning detector--eastern European countries claim he is the “inventor of radio.”



## “Friendship Among Men Brings Peace Among Nations.” (continued)

Cards from military entities range from the Pentagon (Military Amateur Radio System [MARS]) to Antarctica (“Byrd” on the card referencing the Admiral); and Roosevelt Roads in Puerto Rico to Guantanamo Bay, Cuba. One contained the words “Aboard the USS Threadfin (SS-410) submerged.”

Lastly, W1AW (at the HQ of ARRL) was received in 1947.

The cards I have listed represent a small percentage of the total number of QSLs in the file box. Looking at each card raises a certain sense of nostalgia, a feeling of wonder of a time when many hams built their own receivers and transmitters. Card submitters listed transmitters named Taylor HB203a, Viking 99w, RC 52, Collins, ARC-5, HW-101, Temco-300, Swan 350, etc. Receivers listed included AR88LF, NC-100, S-36, Super 8 tubes, Super Skyrider, NC-303, SB200, etc. Antennas ranged from quad beams to a wire and every array in between.

For each of us who have the pleasure of turning on a transceiver where we simply press a tuner button, dial a frequency, press of the push to talk (PTT) on the mic and communicate instantly, the concept of controlling a transmitter and a separate receiver is foreign to us.

Why write an article such as this? I know that many of us use on-line tools, such as Logbook of the World and never send a physical QSL card. But, perhaps in a world of wanting almost instant affirmation of a contact, just perhaps, it might be exciting for hams to send and receive a QSL card with a personalized response. Why not develop your own card, if you have not done so already?

### 73, Jim [N8KET](#)

Answers to Amateur Radio Test Questions on pages 24-26

#### [Technician \(pg 24\)](#)

T5D08 (C)

T6B11 (A)

T6D10 (C)

T8B08 (B)

#### [General \(pg 25\)](#)

G3A08 (D)

G3B12 (D)

G3C11 (D)

G8C12 (A)

#### [Amateur Extra \(pg 26\)](#)

E2A03 (D)

E2A09 (A)

E7B07 (D)

E9E09 (C)



## W8LLY Antenna Mysteries (Part 2)

Ray Hitt, [N8VMX](#)

I wrote an article in [September 2024's Full Quietening](#) describing some mystery antennas I found in Fred Stone W8LLY's (sk) collection. I want to update you on the antenna pieces I found in bag BG-56-A, part of an SCR-506A Radio Set. This bag contained 6 antenna pieces that screw together end-to-end to create a vertical antenna. They seem to be made out of copper clad steel. Their screw threads were larger and courser than the standard 3/8" X 24 threads that most modern antennas use, so I didn't know if I could use them as a functioning antenna.



Spending some time at Lowe's, I noticed they had some 1/2" x 13 nuts and bolts that appeared to match the threads in the antenna segments. I brought in an antenna segment and sure enough, it screwed into the 1/2" x 13 nut. So, knowing this fact, what to do about it?

I took a look to see if there are any mast bases made today that have 1/2" x 13 threads, and didn't find any. Old surplus military mast bases cost a fortune. So, I thought I was about to strike out on getting this antenna to work.

The next time I went to the BARC Clubhouse, I scavenged through some of Fred W8LLY's (sk) antenna pieces that we collected up from his house recently. I found a cardboard box with miscellaneous antenna whips, masts and bases in it. I bought it and took it home to look through.

Much to my surprise, I found another antenna piece like the 6 pieces in the BG-56-A bag. It was a tad smaller in diameter, but what was interesting was that this antenna piece had dual threads on the top and bottom. It had both 1/2"x 13 threads and 3/8" x 24 threads. So, this piece could screw into both 1/2" x 13 threaded military pieces and modern 3/8" x 24 threaded CB and ham bases.



# W8LLY Antenna Mysteries (continued)

One problem I noticed was that while this antenna piece could connect to both thread sizes, it was male threaded on both ends (see right). I need a female thread on one end to mate up with the male



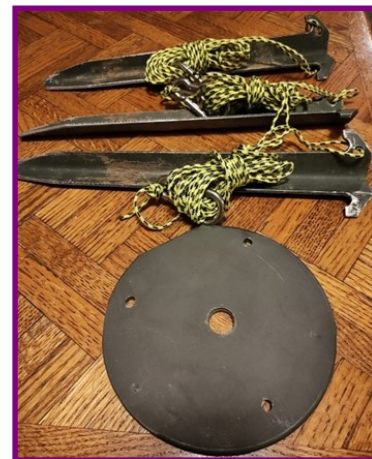
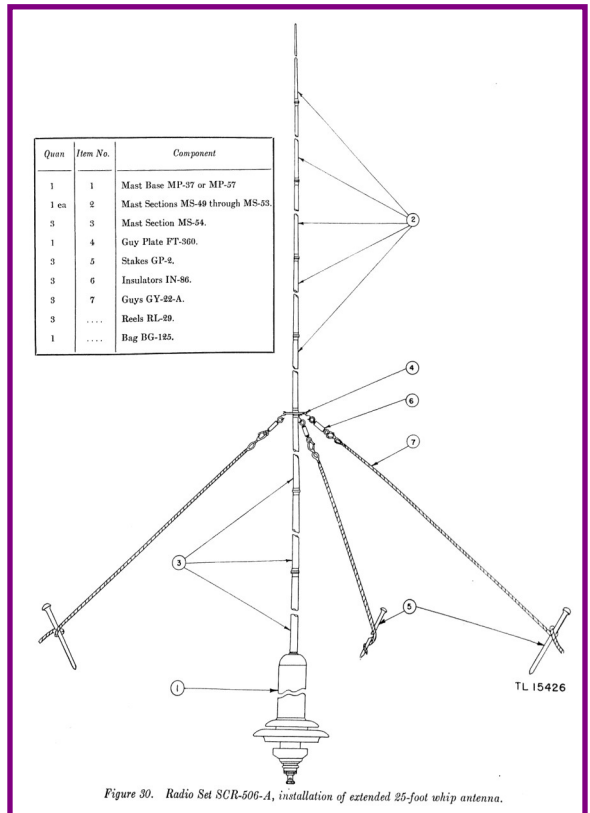
threaded antenna pieces from bag BG-56-A. Looking closely, it looks like a set screw was holding a threaded insert into the antenna element, so maybe it could be removed? It turned out not to be a set screw, but was a pin punched into the side of the antenna element into the insert. Drilling this pin out allowed me to remove the threaded insert, leaving behind the 1/2" x 13 female threads (see left). Eureka!

So, I now have a 7-piece vertical antenna with 3/8" x 24 threads and 1/2" x 13 threads on the bottom. All in all, it's around 22 feet tall. I decided to clean up this antenna, paint the pieces black, and get it on the air.

The next thing I needed to make was a guying system. The Technical Manual required guys if all elements were used. I verified this by mounting these elements to a ground stake with spring-loaded base. It immediately started tipping over!

The original design (see right) had a guy ring and three guys with tent stakes. I found a company that sold guy rings that were blank, and you would drill them to fit your needs. So, I ordered one guy ring blank and two spares.

I drilled a center hole just large enough to fit onto the threads of the 4th element from the bottom, where it joined the 3rd element from the bottom. I also drilled three small holes around the edges of the guy ring to attach carabeners that I could tie ropes to (see right). I put the guy ring on the antenna pieces from the top and slid it down as far as it would go (see left).



## W8LLY Antenna Mysteries (continued)

Here's the entire antenna assembled (below left). Since I am missing one antenna piece from the stock configuration, this antenna only reaches slightly over 22 feet instead of the specified 25 feet. However, I took this antenna out to the BARC Fall Field Day / OSPOTA event in September (below right). With an MFJ 993BRT remote auto tuner it loaded up on 40m through 10m bands. It wouldn't load up on 80 though.



I recently ordered a Big Kansas Coil and am interested in extending this antenna into the 80m band using the coil. I've taken some preliminary measurements, and it does work. I did make a contact to Calgary, Canada with 20W on 10-meters and got a 59 signal report. Once I gather some data and get something to report, I'll put another article together.

It's a great feeling to get some of Fred's antenna ideas on the air!

73, Ray [N8VMX](#)

# Amateur License Test Questions

Answers are on [page 20](#).

## Technician

### T5D08

What is the current through a 100-ohm resistor connected across 200 volts?

- A. 20,000 amperes
- B. 0.5 amperes
- C. 2 amperes
- D. 100 amperes

### T8B08

What is meant by the statement that a satellite is operating in U/V mode?

- A. The satellite uplink is in the 15 meter band and the downlink is in the 10 meter band
- B. The satellite uplink is in the 70 centimeter band and the downlink is in the 2 meter band
- C. The satellite operates using ultraviolet frequencies
- D. The satellite frequencies are usually variable

### T6D10

What is the function of component 2 in figure T-1?

- A. Give off light when current flows through it
- B. Supply electrical energy
- C. Control the flow of current
- D. Convert electrical energy into radio waves

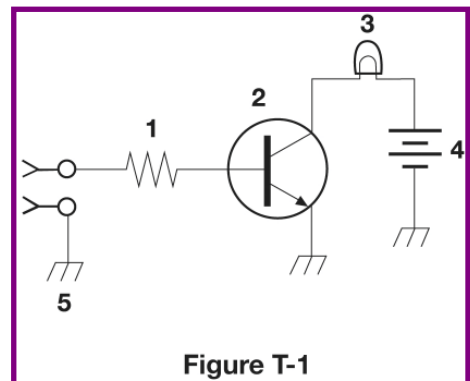


Figure T-1

### T6B11

What is the term that describes a device's ability to amplify a signal?

- A. Gain
- B. Forward resistance
- C. Forward voltage drop
- D. On resistance



# Amateur License Test Questions (continued)

Answers are on [page 20](#).

## General

### **G3B12**

Which of the following is typical of the lower HF frequencies during the summer?

- A. Poor propagation at any time of day
- B. World-wide propagation during daylight hours
- C. Heavy distortion on signals due to photon absorption
- D. High levels of atmospheric noise or static

### **G3C11**

Which ionospheric region is the most absorbent of signals below 10 MHz during daylight hours?

- A. The F2 region
- B. The F1 region
- C. The E region
- D. The D region

### **G8C12**

Which type of code is used for sending characters in a PSK31 signal?

- A. Varicode
- B. Viterbi
- C. Volumetric
- D. Binary

### **G3A08**

How can a geomagnetic storm affect HF propagation?

- A. Improve high-latitude HF propagation
- B. Degrade ground wave propagation
- C. Improve ground wave propagation
- D. Degrade high-latitude HF propagation



# Amateur License Test Questions (continued)

Answers are on [page 20](#).

## Amateur Extra

### **E2A03**

How is an upload signal processed by an inverting linear transponder?

- A. The signal is detected and remodulated on the reverse sideband
- B. The signal is passed through a nonlinear filter
- C. The signal is reduced to I and Q components, and the Q component is filtered out
- D. The signal is mixed with a local oscillator signal and the difference product is transmitted

### **E7B07**

Which of the following is the likely result of using a Class C amplifier to amplify a single-sideband phone signal?

- A. Reduced intermodulation products
- B. Increased overall intelligibility
- C. Reduced third-order intermodulation
- D. Signal distortion and excessive bandwidth

### **E2A09**

What do the terms “L band” and “S band” specify?

- A. The 23- and 13-centimeter bands
- B. The 2-meter and 70-centimeter bands
- C. FM and digital store-and-forward systems
- D. Which sideband to use

### **E9E09**

Which of the following is used to shunt feed a grounded tower at its base?

- A. Double-bazooka match
- B. Beta or hairpin match
- C. Gamma match
- D. All these choices are correct



# Editorial Policy and Style Guidelines for *Full Quieting*

## Editorial Policy

*Full Quieting* welcomes articles from BARC members on any ham radio subject that is relevant to BARC. Our focus is our BARC members. We will not reprint items or articles that are easily available by other means (web, magazines, etc.).

Most articles will be “how to” or “what I did” articles that focus on technical or operational subjects such as a construction (antennas, equipment, stations, etc.), the use of hardware or software, operating in unique/challenging circumstances, or a memoir.

*Full Quieting* will also consider an occasional article on policy issues regarding the various national licensing/regulatory agencies and/or amateur radio associations so long as the article is relevant to BARC members and constructive in tone and recommendations.

Although all *Full Quieting* articles represent the experiences and points-of-view of their authors and not BARC, articles that focus on policy issues will be specifically labeled as a reflection of the author’s opinion.

Regardless of subject, when you submit an article you acknowledge that you are the original author or creator and you grant publication rights to BARC. Anything you submit remains your property and you may have it published elsewhere without the need for permission from *Full Quieting*.

## Style Guidelines

Language: English is the official language of *Full Quieting* and all articles should be submitted in English. Don’t be concerned if English is not your first language: just tell your story in your own voice and use translating tools such as Google Translate to help if necessary.

File format: Submit your article as a Word, Word Perfect, OpenOffice or text file attachment to an email. A shared document available for download (such as a Google Doc) is also okay. **Do not submit as an email or PDF file.**

Pictures and other graphics: Do not embed pictures or tables in the article. Please submit as an email attachment or a shared image available for download. Please reduce the file size of the images before you send them to *Full Quieting*. Large files can be attached to a series of emails. Keep file size in mind regarding publication quality: for example, a half page image in the final PDF version of *Full Quieting* should be at least 400 pixels wide. If a photograph or graphic was taken or created by someone else, you should have their permission to use it and the permission of anyone identifiable in the image. **If you capture images from the web, provide a citation (URL) for that source and make sure the source does not prohibit use of the image in *Full Quieting*.**



# Editorial Policy and Style Guidelines for *Full Quieting*

(Continued from previous page)

## Use these style conventions

- We are hams, not Hams, and our hobby is ham radio This is a change to our original format
- The name of our organization is: Bellbrook Amateur Radio Club or BARC
- The code we use is Morse (capitalize the M)
- We use Yagi antennas (capitalize the Y)
- Q codes should be capitalized: QRM, QSB QSY
- The plural of QSO is QSOs, not QSO's
- Modes should be capitalized: CW, SSB, FT8, RTTY
- Bands are written as 10 m, 15 m etc.
- The abbreviation for a Silent Key is SK.
- You might have had an Elmer, not an elmer

Bruce N7RR has provided a [two-page check list](#) of common International System of Units (SI) formats and abbreviations.

## Use these formatting conventions:

- Set all borders to 1 inch. The preferred font is Calibri, 12 point.
- Do not use tabs or spaces at the beginning of a paragraph
- Use only a single paragraph or carriage return at the end of each paragraph
- To enhance readability, use two spaces after the period at the end of a sentence.



# Misc BARC Info

## REGULARLY SCHEDULED NETS

**Daily (Sunday through Saturday)** 1030, 1615 and 1845 Ohio Single Sideband Net (OSSBN) Primary: 3972.5 KHz LSB Alternates: 3968 & 7272 KHz LSB

**Weekdays (Mon-Fri)** 1130 DMR Net Brandmeister Talk group 310557. Accessible via hotspot, 444.875 (+) CC13 TS2(Dayton East), 444.4375 (+) CC11 TS2 (Dayton West)

**Sundays** 1900 Newcomers & Elmers Net (Cincinnati) 146.670 (-) (123.0 PL)

**Sundays** 2000 **BARC Weekly Net 147.045 (+) (118.8 PL) [Alt 443.675 (+) (118.8 PL)]**

**Sundays** 2100 Miami Co. Voice & Data Net (Data Net follows Voice Net) 145.230 (-) (no PL)

**Winlink Tuesdays** GCARES Winlink Net Any time on Tuesdays Eastern Time Send To: W8LRJ, Cc: KE8FMJ W8GCA-10 445.010 (S), W6CDR-10 145.010 (S)

**Tuesdays** 1900 Dayton Veterans Admin Amateur Radio Club Net (W8DVA) 443.850 + 107.2 pl

**Tuesdays** 1915 Ohio ARES HF Net W8SGT Net Control at OEMA HQ Primary: 3902 KHz LSB (+/- QRM) Alternate: 7240 KHz LSB (+/- QRM)

**Tuesdays** 1945 Ohio Digital Emergency Net Primary: 3584.5 KHz USB (1500 WF) Alternate: 7072 KHz USB

**Tuesdays** 2000 MoCoARES Weekly Net 146.640 (-) (123.0 Hz PL) (Except—No Net on last Tuesday of even months (MoCoARES meeting) (Except—On 2nd Tuesday: Voice and Data Net on 444.250 (+) (123.0 PL)

**Tuesdays** 2030 Greene County DMR Net Primary: 444.875+, Color Code 13

**Tuesdays** 2100 GCARES Net (Voice & Data) 146.910 (-)(no PL) [Alt = 442.725]

**Ohio Winlink Wednesdays** OH ARES Winlink Net Any time on Wednesdays Eastern Time Send To: K8EAF, Cc: W8LRJ, KE8FMJ W8GCA-10 445.010 (S), W6CDR-10 145.010 (S)

**Wednesdays** 2000 Ohio District 3 ARES Net (West Central Ohio Regional Net) Primary: 145.110 (-) ( 67.0 PL) Alternate: 146.820 (-) ( 77.0 PL)

**Wednesdays** 2000 Beginners Net (Dayton Area) 444.875 (+) (94.8 PL)

## ZOOM-Basic Setup & Configuration

Here's a link to the Zoom Video Tutorials: [Zoom how-to video tutorials – Zoom Help Center](#)

Also see: "Join a Meeting" and the "Joining & Configuring Audio & Video" tutorials for new users. Send questions or problems to John, [W8LRJ](#) ASAP but BEFORE the next meeting.

**BARC Fundraising Opportunity — Kroger's Rewards Program** Please use your Kroger Card when shopping at Kroger's and support BARC. If you haven't signed up and need help, bring your Kroger Card to the next BARC meeting, and we'll help you get registered (contact the [BARC Treasurer](#)).

**ARRL Discounted Membership Offer** One of the benefits of club membership is the opportunity to become an ARRL member at a discounted price. BARC is an ARRL affiliated club and receives a commission for new first-time ARRL memberships transacted through the club. BARC passes on this commission (discount) as a club membership benefit to promote ARRL membership. BARC members currently receive a \$15 discount on a NEW first year ARRL membership cost when placed through the Club. Please contact the [BARC Treasurer](#) for details.

