



Ohio
Section
Journal

February Presidents Day Edition

- [From the Technical Coordinator](#)
- [From the Section Emergency Coordinator](#)
- [From the Section Traffic Manager](#)
- [From the Educational Outreach](#)
- [From the Official Observer Coordinator](#)
- [The Ohio Weekly DMR Net Report](#)
- [Fun Things To Do, Classes & Hamfests Too](#)
- [From the Affiliated Club Coordinator](#)
- [From the Public Information Coordinator](#)
- [Out and About](#)
- [ARES Training Update](#)
- [One Question Questionnaire](#)
- [The Handbook Give Away](#)
- [Final.. Final..](#)



From the Technical Coordinator

Jeff Kopcak – TC

k8jtk@arrl.net

Hey Gang,

Have a bunch of odds and ends for everyone this month.

Ham Cram Sessions

I received a piece of feedback worth sharing from December's article on the "ham cram" type training sessions. One group in the section is working on a cram session for new licensees. That will be followed up with a "now what" session. The follow up session would have mentors and elmers available to help get new hams on the air.

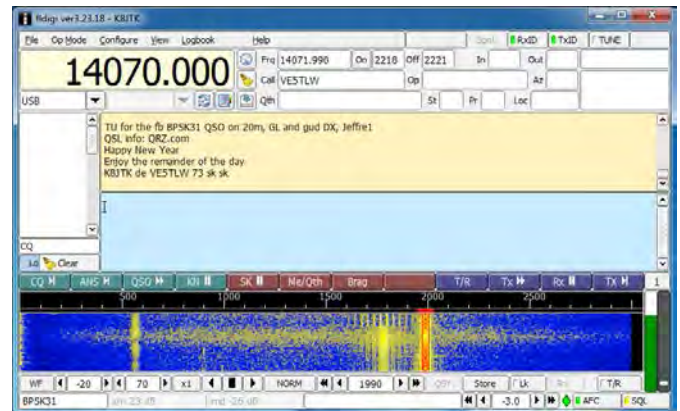
Depending on the success, this may be followed up with a General class too.

I think it's a great idea to follow up with the "now what" session in a more relaxed environment for learning and getting them comfortable being on the air.



Digital Communications in Amateur Radio

I've been working on my Digital Communications in Amateur Radio series for the Wood County Amateur Radio Club. The series started with an overview of Ham radio digital modes and how to get your station setup with different interface options. From there I've been taking an introductory look into specific modes, though mostly ones used on HF. My articles are available in the club's newsletter, CQ Chatter, found on the [Wood County Amateur Radio Club Website](#) (past years are on the CQ Chatter Archives page) or [available on my site](#) as well. Check them out to get an introductory look at digital modes.



Operating PSK31

Latest additions:

- Conversational Digital Modes like PSK, RTTY, MFSK, Olivia (February 2017)
- Narrow Band Emergency Messaging System or NBEMS (August 2017)
- Winlink (February 2018)

Yaesu Fusion Announcements

After the New Year, [Yaesu released an announcement](#) with regard to their Fusion C4FM offerings.

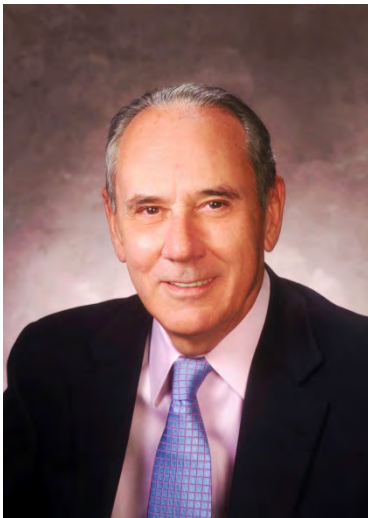
- The DR-2X purchase program will continue through June 30, 2018.
 - A trade-in program is available for current DR-1X repeater owners (they will not accept the beta version) towards the purchase of a DR-2X. \$300 if you are trading in a DR-1X and only want the DR-2X repeater. If you wish to include the IMRS IP linking option in the DR-2X, the price will be \$500.
 - Buying the DR-2X outright is \$900. \$1100 to include IMRS.
- New Firmware will be released for DG-ID and DP-ID functionality in the DR-1X repeaters. Much like the Wires-X upgrade, it is very likely the repeater will need to be sent back to Yaesu for this firmware upgrade.

- They are releasing the DR-1X FR. The DR-1X FR is a “factory refurbished” DR-1X for \$400. It will have the DG-ID and DP-ID firmware already installed. The **DR-1X FR** cannot be used for the trade in program towards a DR-2X.

The discounted prices listed for the DR-2X and DR-1X FR require an application available from Yaesu. Firmware upgrade details or applications can be obtained by contacting John Kruk - N9UPC (Sales Manager for Yaesu USA) at j.kruk@yaesu.com or through the Yaesu Service department.

Yeesh. Lost yet? I won't rehash my thoughts on Fusion (see August & September 2017 editions of the OSJ) but I think this announcement only further fragments their offering.

Tom Gallagher – NY2RF to Retire



Tom Gallagher – NY2RF is going to retire after 2 short years as CEO of the ARRL. For me the cliché is true: it only seems like yesterday. I appreciated Tom's articles in QST and his behind the scenes look at the ARRL. As an MBA, I loved his explanation into some of the financials and reasons for the league raising membership dues in 2016 (July 2017 QST, Mythbusting: ARRL Not “A Big Radio Club”). The League may have \$14.7 million in assets but that doesn't mean that is money lying around. It goes toward programs and services to benefit members and non-members alike. Despite the non-profit status our government affords the organization, they need to pay competitive wages to employees and authors - otherwise they will go elsewhere. I also had the privilege to correspond with Tom on, I think, an excellent direction to get Makers into the ham radio hobby.

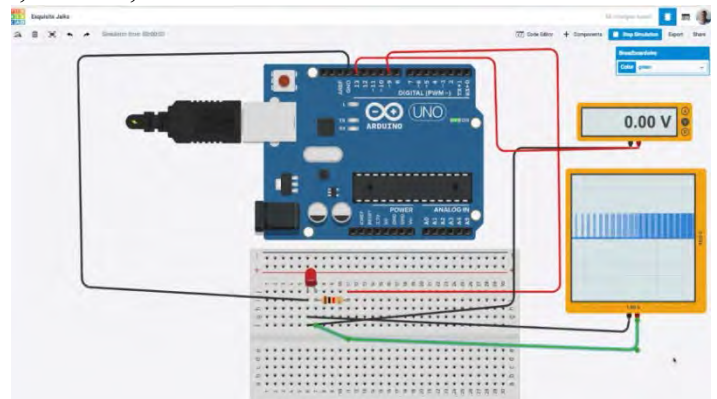
I wish Tom well in his retirement. Announcement:

<http://www.arrl.org/news/arrl-ceo-tom-gallagher-ny2rf-to-retire>

Tinkercad

Speaking of Makers, I saw a video on the Amateur Logic podcast that demonstrated TinkerCAD electronics. If you've done anything with 3D printing, you've probably used Tinkercad. Tinkercad is a product of Autodesk, makers of software for architecture, engineering, and construction manufacturing. As Tommy demonstrates in the video, Tinkercad has an electronics section to simulate building electronic circuits and projects. This can be used as a great introduction into electronic circuit building for students and kids. The simulator has many types of electronic components: switches, capacitors, Arduinos, diodes, power supplies, oscilloscopes, potentiometers, resistors, ICs, breadboards, motors, servos, sensors, and of course – wires!

Tommy duplicates a simple blinking LED project he built in a previous episode using the simulator – even using the exact same Arduino code. I wondered if there was a product available to simulate circuit building and was quite impressed how well the simulator worked. Check it out in [Amateur Logic episode 113](#). To sign up and start “tinkering,” go to: <https://www.tinkercad.com/>. 6 years or so ago, they were charging for the service. It appears when Autodesk took it over, it's been free to use.



Scanner Anti-encryption Bill

Lastly for this month, I'm a scanner listener and I'm intrigued by the State of Ohio's MARCS-IP public service safety system (Multi-Agency Radio Communications over IP). In short, it's a state wide P25 digital communications system that allows users to be anywhere in the state and communicate with their agency. One of the selling points for any commercial digital system is the ability to encrypt. Only those authorized can "unscramble" the transmission, meaning scanner listeners are locked out of listening to that particular group, or system in a few cases. Agencies love it and scanner listeners hate it.

Our friends in the Colorado section made headlines last month when State Government Liaison and Section EC Robert Wareham - N0ESQ participated in drafting what is being called the "[anti-encryption Bill](#)." With the backing of Colorado State Representative Kevin van Winkle (R), the bill outlaws blanket encryption by state and local governments striking a balance between transparency and the public's right to monitor public agencies. Legitimate needs of confidential investigations and tactical operations are not protected under the bill. There are criminal penalties for those who monitor these communications to further a criminal enterprise, avoid arrest, detection, or escape capture.



Robert Wareham - N0ESQ

While this bill only applies to Colorado, it could set a path for other states to draft something similar. Encryption for public radio systems is always a hot topic with completely valid points on both sides. There is a [51 page thread on the topic in the Radio Reference forums](#) debating reasons both ways.

Thanks for reading and 73...

de Jeff - K8JTK

[TOP^](#)

From the Affiliated Club Coordinator

Tom Sly, WB8LCD - ACC

tomsly29@gmail.com

Make America Great Again

Wait! Don't turn me off already. I'm not making a political statement. I'm just being nostalgic. As I was growing up, America had just spent a decade (the mid 1940's through the mid 1950's) changing itself from a wartime nation to a post-war nation. During the war years, America used every bit of its superiority in math, science and technology in putting together the tools, the manufacturing capabilities and the quality products that were needed to be successful in the war effort. After the war, all of these efforts needed to be redirected to peacetime economic activity. Amazing advances were made not only in communications, and Amateur Radio, but also in other technologies.



Then, in 1962, President Kennedy challenged us to keep pushing the limits of technology and science. He challenged us to go to the moon! <https://youtu.be/TuW4oGKzVKc> Go to the moon we did, and from the early 60's until man actually stood on the moon (July 16, 1969 approximately 3 years sooner than Pres. Kennedy's 10-year challenge) all efforts and attention were focused on that effort. Those years, and probably the 10 - 20 years following, America experience a fantastic rate of growth. New technologies, and the products they spawned pushed us further and further into the future, with all of the good, the bad and the ugly that comes with rapid change.



So, here we are today. In most colleges and universities, science and technologies still push the envelope into the future, but to a far greater degree concentration is in other areas. We have a major portion of our population that use technologies, but cannot understand them. Educational and vocational paths are so narrowly defined, that lots of really smart people become totally lost once they venture past the borders of their specialty. In this age of specialties, the Renaissance Man does not exist. We have little understanding, or tolerance for information or experiences outside of our fields of specialty. We feel isolated and alone. Way too many of our citizens can't even preform basic operations with hand tools. What everyone used to do for themselves, we now have to hire and pay someone to do for us.

We are in a unique position to add value to our society as a whole, and to each of the individual members of our society as individuals. Mathematics, Science and Technology have always been the disciplines that have taken us into the future. As Amateur Radio Operators, we deal in math, science and technology.

We can be the gateway that introduces more people to the disciplines that will forever change and improve the human condition. One of the best ways to do that is via Amateur Radio Clubs. BUT, we need to change our concept of what an Amateur Radio club is all about. If the only purpose of an Amateur Radio Club is to provide a venue for a bunch of old guys to get together, share a meal, tell stories and talk about the good old days, then that club will soon be as dead as its current members. We've got to change that model to one of activities. Doing the things of Amateur Radio that are Fun! I'm not going to spend a lot of time here talking about what to do to have fun, it's just a step to the next level of what a club's purpose truly is: Bringing new hams into our ranks, giving them the knowledge and experiences necessary for them to understand the math, the science and the technology involved in such a way as to consider it a career choice!

I recently read an article about the job market and which courses of study would lead to the best jobs and paychecks when graduating college with a bachelor's degree. Of the top 25 degrees you could get that would lead to a good paycheck, the majority were one of the many - Engineering degrees.

So, to accomplish what I'm talking about here, we need to start young. We need to expose the young kids to all the fun, discovery and excitement they can have by participating in technology with us. But, raise your hands, how many of your clubs out there have any kind of programming directed to attract kids in the 5-10-year-old age group? How about the 12 - 16-year age group? 17-21? Young adults?



I don't see too many hands in the air. We need to make a conscious effort to provide programs and activities to get kids interested in what we're all about as Amateur Radio operators.

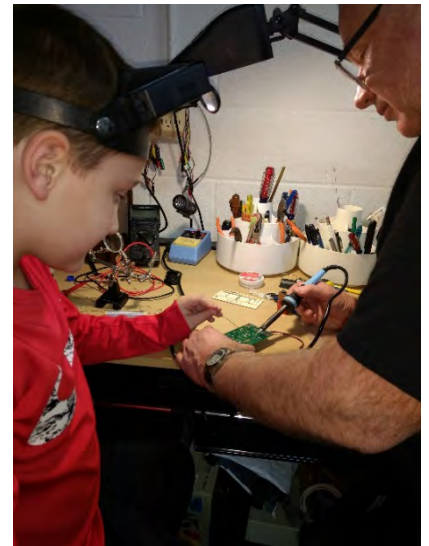
Let's start the conversation in our own clubs, and between clubs, so we can come up with some solutions to spreading the age range that our activities appeal to. We have the knowledge, now let's just use our imaginations to come up with some solutions!



A personal story: I have a 7-year-old grandson named Jax. Like most kids, he seems to be drawn to (and pushed towards) sports. I'm not anti-sports, but I don't see it as deserving the place it's taken in society either. A couple of years ago I was talking with Jim - AC8NT and he was commenting on how so many kids have no introduction to tools and how to use them these days. He mentioned that old computers, rather than just being trashed, should be given to kids to take apart. Give them some screw drivers, nut drivers, wrenches, pliers and maybe a hammer, tell them to figure it out and bring back a box of parts. In the 5 to 7-year-old range they will take the challenge! Now, please don't leave them totally unsupervised, and give them some guidance on how to properly use the tools but let them do it for themselves. Jax has taken a couple of boxes apart, and he's always proud to show anyone who'll look all the pieces he has. Through the process, he's learning what the parts are, how they go together, how to use tools, and how to look for creative solutions to getting things to come apart.

This month we moved on to putting stuff together. Elenco has a Learn to Solder kit. Model SP-1A. You can get it on Amazon for about \$12 bucks. It's a neat little kit that uses a 555 timer to make a siren, complete with flashing LED's. (don't worry, it's not too loud). The instructions are well written and give you a good start in soldering and building electronic projects.

The manual covers parts identification and the theory of operation. So, now we've got another 7-year-old that has been introduced to math, science and technology in a way that was easy to get excited about. We really have to start including our kids and grandkids in the things we are doing, and, making a place for them in our clubs. Think about it.



73, Tom, WB8LCD

[TOP^](#)

From the Section Emergency Coordinator

Stan Broadway, N8BHL - SEC

broadways@standi.com

ARES VHF Contest: Scores SMASHED for 2018!

The annual Ohio ARES VHF Simplex contest was held in early January. Unfortunately, nobody told the ~bands~ we were coming, but there were some openings. All who turned in scores said they had a lot of fun, and that was one of the main goals! Another was to be able to plot our simplex 'footprint' for times of emergency when repeaters were not functioning.



The average was around 6 counties per station, and that's actually pretty good! So, if we had a "black sky" event we know a little better with whom we should be able to make contact.

We had good numbers- 10 scores more than last year. There were 10 counties operating (several had multiple stations) so we did feel the pinch of stingy bands just a bit. The top station score was submitted by the K8GQB crew using the Lisbon Area Amateur Radio Association's callsign in Columbiana County. Their station score was 1656, with 92 QSO points (including the bonuses) over 18 counties. That's great reach! The Sarge, W8SGT, was not exactly hopping but I managed to work 9 counties for second place. But, wait! There's more!



This year's TOP score was 7267, racked up by the rover crew operating W8WTF. Man, these guys made a career out of this day. There were 17 counties with 213 QSO points! They made a tight schedule through Cuyahoga, Summit, Medina, Wayne, Stark, Tuscarawas and Carroll counties! Not only did they cram all that driving in, but they picked the highest elevation points they could find! They operated from above 1200 ft. to 1304 ft. in Summit county. Jason McCormick, N8JDM and John Wagner, N8CD not only smacked the score records around, made some serious rover contacts, but they put together a video on how it was done!

https://youtu.be/0_FKffVO2lY

A huge "Attaboys" to the intrepid crew! Maybe this is planting some ideas in ~your~ head for next year? Sounds like fun to me!

The guys wrote up a great summary of their outing:

- In 6 hours, we drove about 92 miles, and visited 7 counties (Cuyahoga, Summit, Medina, Wayne, Stark, Tuscarawas, and Carroll)
- Each operating site had about 4 minutes of setup, 10 minutes of operating, and 4 minutes of teardown before we headed to the next location
- We had a total of 148 contacts across 6m, 2m, and 70cm that were in 17 different counties (one in PA).
- 46 of the contacts were on 6m, 74 were on 2m, and 28 were on 70cm
- The equipment was a Yaesu FT-857d into a Diamond V2000a on top of a 25' mast mounted to the trailer hitch on the truck. We also used a Motorola XPR-4550 and a Yaesu FTM-400 for some of the contacts while mobile, and the FTM-400 did double-duty as the APRS transmitter.



It took a couple of weeks of planning, including antenna and radio planning and building, mapping out the best operating locations in several counties (best meaning highest place along a reasonable route with places to pull off and set up), choosing and laying out a route, setting up logging, and getting some of the rules clarified with the organizers.

The original plan

It was about 17 degrees, windy, and snowing when we got to our first site in Cuyahoga county. The snow came and went throughout the day.

In spite of the weather we were able to stick to our original plan pretty closely, with enough time to help push a couple of ladies out that were stuck in the snow and make a couple of stops for refreshments along the way. After the Cuyahoga county site, we setup in the Giant Eagle parking lot in Richfield for Summit county, then Top O' Ledges picnic area in Medina county, followed by operations from a park in Doylestown for Wayne county. The Stark county location was a few miles south-west of Navarre on a ridge near a couple of commercial towers. It's always reassuring to see commercial towers where you are operating VHF, because it means someone else thought it was a good place for VHF transmitters as well.

After Stark county, we headed south through Tuscarawas county and made a few contacts while moving before doing some operations from the Roxford Church near Dennison Ohio. We didn't setup the mast here and the altitude was a little lower than we would have liked, but it fit into our driving schedule better than some other locations. Finally, we worked our way along some country roads and pulled off the side of Cougar Road SW just inside Carroll county for our last operation. Here we picked up several more southern counties that we hadn't worked before. All along the way we used APRS to report our position, and had a few people following us via <https://aprs.fi> to keep up with our operations.



Spring Activity Plans Being Finalized

There are two major events for Ohio ARES coming up before you know it! First, our Ohio ARES State Conference looks to be set for April 7. We will finalize that with Marion Tech and let you know if there are any changes. We will hold our session at the Marion Tech health lecture hall as we have for the past two years. This is MUST SEE for EC's and above, as well as general members. As you probably know, a committee led by Great Lakes Division Director Dale Williams, WA8EFK, has completed a report on changes that need to be made to bring the ARES system into this century. The changes were approved by the Board at their January meeting. While the report isn't finalized yet for publication, Dale has agreed to come let us in on his committee's work- and what we can expect not only in Ohio but across the country for the Amateur Radio Emergency Service.



I'll be sending out more details on the conference, and again we're waiting to get absolutely final agreement on the location but we don't anticipate any problems.

While you're waiting, it's not too early to start planning for this year's Ohio NVIS Antenna Day. We have scheduled that for April 28, a Saturday. There's just no denying it's fun to fiddle with antennas! It's a basic part of our hobby- and the ability to make solid close-by contacts is even more critical with the bands in the terrible shape they're in. So, get a gang together, plan on a great BBQ lunch, and unroll some wire for Ohio NVIS Antenna Day!

73, Stan, N8BHL

You can view all of the SEC's monthly reports on the website.. <http://arrl-ohio.org/SEC/default.html>

[TOP ^](#)

From the Public Information Coordinator

John Ross, KD8IDJ - PIC

john.ross3@worldnet.att.net



Welcome to the Friendly Skies!

At least part of this month's column is being written while crusting at 28,000 feet somewhere between Columbus and Chicago!!

I always like leaving Columbus on a clear day so I can spot all of the ham radio antennas from the air...another indication amateur radio is still growing.

I brought along some "reading material" for the flight...copies of the 2018 newsletters submitted for this years Ohio Section Newsletter Contest! I read every newsletter and thank you again for making me the most informed ham in the world. Even though I can't share anything with the judges...or even crack a smile when they read the newsletters...I know this is going be another great...and tough...year for the contest. It's all because we have the best editors and writers and they know how to keep their clubs informed and active. It's a beautiful thing to watch happen.

All of this is leading up to this reminder...send two copies of our club's newsletter by the end of June...so you can participate in the contest. February is about over so that means just four months to go until the June 30th deadline.

Well, just about time for landing now and need to turn off the electronic equipment. Too bad the airlines don't have DMR capabilities!

TORNADO AND SEVERE WEATHER SEASON



While this winter has been rough...snow, cold and lots of rain...the tornado and severe weather season is just ahead.

March usually kicks things off and the National Weather Service already has their training schedule out. It's a good idea to go these sessions every year...not just to learn about changes and updates...but to look for potential new hams.

I go every year and I've at least talked to more than a dozen folks who are interested and ready to take the next step. If they are interested in the weather we can help them become amateur radio operators. I know the NWS appreciates our help and it's a great club activity...gets a lot of people involved and ON THE AIR!

ARES SPECIAL EVENT

Just a quick cross-plug for the ARES Event on April 7th. Stan Broadway, N8BHL, always puts together a great meeting with loads of information about ARES and all of the changes and challenges ahead.

I'm sure he'll have more in his column so take a few minutes to look over the Ohio ARES program and, if you can, sign up to attend the event In Marion on April 7th.



SOCIAL MEDIA IS DEAD?

At my monthly Roundtable of Old Journalists meeting the subject of Social Media came up mostly because of a lot of rumors that the trend is on the downturn...much to the delight of most “real” journalists!



It was easier to communicate to the world when the methods were simple and less complicated. Every day we read about how Facebook or Twitter posts were fake or, at least ill-advised. But the problem is the information sticks around and gets moved around to millions of other outlets...true or not. Frankly, people get confused and the end result is they don't know what to believe and what is true or real. Opinion becomes gospel and sometimes the facts become invisible.

What's does this have to do with Amateur Radio? Good question. For us we have always taken pride in the messages we transmit via Amateur Radio. If we use the “other media” we need to use the same set of rules, regulations and good judgment that have guided us for years. We may not be the problem on social media but it could learn from us how to effectively have a conversation and get the message across without bias or opinion.

This is all making my head hurt...yours too, probably. I'm ready to pick up a microphone or pound a key and make sure the way I communicate is clear. I am an Amateur Radio operator and take pride in what I do and say. I hope social media...whatever that is... takes the hint.

That's all for this month...keep warm, safe and keep talking!

73, John, KD8IDJ

[TOP ^](#)

From the Section Traffic Manager

David Maynard, WA3EZN – STM

wa3ezn@att.net

Hi Everyone,

By the time you read this the Mansfield Mid-Winter Hamfest will be over. As I write this my attendance is doubtful. I hope everyone attending had fun and got home safely.

Three years ago this month I welcomed Bob Zimmerman, W8OLO to his new position as net manager of the Ohio Slow Net in an article similar to this article. This month I sadly inform our readers that Bob has become a silent key. Bob was an extra class ham and previously held the call KD8BIV. He was a traffic handler not only for the Ohio Slow Net but often was a CW liaison station for the Ohio Single Sideband Net, the Central Ohio Traffic Net and the Eighth Region Nets. When Bob was a truck driver he often checked into the OSSBN from his eighteen-wheeler with a big signal. Bob helped many become CW operators and was known to offer the loan of his spare rig to other operators whose rigs had failed. Bob was described on the OSSBN as someone who would travel across the state to help another operator install an antenna or assist with a problem. Bob's signal on the OSSBN got him rated as number one. We will all miss Bob and my thoughts and prayers go to Bob's family. Funeral services are incomplete at this time and will be announced. The Powers-Kell Funeral Home is serving the family. <http://www.powerskell.com/notices/Robert-Zimmerman>



NEW OHIO SLOW NET MANAGER

I am very pleased to welcome Steve Burns, KI8FV to the position of net manager for the Ohio Slow Net. Steve has been a ham since 1996, is an ARRL member and has been doing code for about 3 years. Steve passed the 13 wpm requirement years ago to be an advanced license holder and became an extra after the code requirement was dropped. He passed the 20 wpm test on the W1AW code practice. He likes to work around 15 wpm or so best. Steve has been on the Ohio Slow Net for about 2 years and has been a net control station for a little over a year.



Steve took traffic handling instruction from WD8Q last year. He also checks into the Buckeye Net Early (BNE) and the OSSBN when he can. Steve says that Steve WB8YLO was helpful and emailed him the report format. He has been doing all of the net control days for OSN except Fridays when WB8YLO does it.

Steve lives in Vinton County where he teaches elementary music. He has been a music teacher for 32 years and a part of that time a band director.

If you are not aware of the Ohio Slow Net brush up or learn CW and join in the fun on 3.53535 daily at 18:00 (6PM). They will slow down to your speed while you get accustomed to CW and build up you own speed.

Ohio Section Nets

NET	TIMES	FREQUENCIES
BUCKEYE (early)	18:45 Daily	3.580
BUCKEYE (late)	22:00 Daily	3.590
OHIO SLOW NET	18:00 Daily	3.53535
OHIO SINGLE SIDEBAND NET	10:30 – 4:15 – 6:45 Daily	3.9725
OHIO HF EMERGENCY NET	19:15 every Tuesday evening	3.910 – 7.240
OHIO DIGITAL EMERGENCY NET	20:00 every Tuesday evening	3.585 USB

WEATHER SPOTTER REMINDER



Now is the time to attend weather spotter classes. Classes are free and open to the public, but some may require advanced registration. You do *not* need to be a resident of the county in which a talk is being held in order to attend. Each class lasts about 1.5 to 2 hours and is led by a National Weather Service meteorologist who will discuss techniques and safety for severe weather spotting. Once you attend a class, you are an officially trained spotter and can report severe weather to your NWS

office. You can find more information and register info if needed at:

<https://www.weather.gov/iln/spottertrainingschedule>.

That is all for this month. I have provided the information above instead of more traffic handling information this month because of the high importance of the these events. I hope that all have a chance to get involved in these very worthwhile activities.

73, David, WA3EZN

You can view the STM's monthly report on the website.. <http://arrrl-ohio.org/stm/stm.html>

[TOP ^](#)

Out and About

Lyn Alfman, N8IMW - ASM

lynalfman@aol.com

Greeting! I know that Ohio's official groundhog, Buckeye Chuck, saw his shadow, so instead of an early spring, it will come in on time—officially March 20. Is there anyone else out there that is tired of winter? If so, raise your hand.



OK, Show of hands...
Who's tired of snow?

Unfortunately, due to bad weather and a bad cold, I was unable to attend the Zanesville Amateur Radio Club, the Morgan Amateur Radio Club, the Coshocton County Amateur Radio Association, and the Sunday Creek Amateur Radio Federation hamfest.



The Morgan (County) Amateur Radio Club participated in the ARRL Winter Field Day on January 27. I do not have any statistics to report from their operation at this time, but I am sure they had fun. I understand it was quite muddy getting to the site.

I attended the Cambridge Amateur Radio Association (CARA) meeting on January 27 where nominations for 2018 officers took place, and later that afternoon participated as a VE for the CARA Laurel VE Team exam. On Sunday, January 28, I attended the TUSCO hamfest at Strasburg. The TUSCO hamfest had a decent turnout despite the fog and some freezing mist. Coming up on February 18 is the Inter City IARC Mid-Winter hamfest in Mansfield.

Whether or not your club has an Activities Chair and/or a Program Chair, to maintain and/or grow your membership, clubs should entertain doing a survey of activities and/or programs to find out what interests the current members have or are interested in learning about. And, once you have set a program, advertise it on as many of the local nets as you can. And, it would not hurt to advertise it on the local radio stations and newspapers and their prospective website calendars. Also, ask members to bring a friend to a meeting, program, or club activity. This might lead to new hams and potential members.



Remember to be "Radio Active"!

'73 de Lyn

[TOP^](#)

Murphy's Law

- Any instrument when dropped will roll into the least accessible corner.
- Any simple theory will be worded in the most complicated way.
- Build a system that even a fool can use and only a fool will want to use it.
- The degree of technical competence is inversely proportional to the level of management.



FROM THE EDUCATIONAL OUTREACH ASM

Anthony Luscre, K8ZT

k8zt@arrl.net

ARRL Announces 2018 Teachers Institutes on Wireless Technology Sessions (arrl bulletins)

As part of its educational outreach through the Education & Technology Program (ETP), ARRL will offer three sessions of the [Teachers Institute on Wireless Technology](#) this July. The week-long workshops will be held at ARRL Headquarters in Newington, Connecticut, and in Dayton, Ohio — hosted by the Dayton Amateur Radio Association (DARA). The Teachers Institute (TI) is an expenses-paid, professional development seminar that provides teachers at all grade levels with tools and strategies to introduce basic electronics, radio science, space technology, and satellite communication, as well as weather science, introduction to micro-controllers, and basic robotics in their classrooms.



The Teachers Institute curriculum is designed for motivated teachers and other school staff who want to learn more about wireless technology and bring that knowledge to their students. The goal of the TI program is to equip educators with necessary foundational knowledge and — through hands-on learning — generate the inspiration for teachers to continue exploring wireless technology and adapt what they learn to their classroom curricula.

Interested educators can [apply](#) online. The \$100 enrollment fee is refunded for applicants who are not selected. A qualified applicant must be an active teacher at an elementary, middle, high school, or community college/university, or in a leadership or enrichment instruction role in an after-school program.

Summer 2018 Teachers Institute Schedule

Session	Location	Dates	Instructor
TI – 2	Newington, Connecticut (ARRL)	July 9 – July 12	Matt Severin, N8MS
TI – 1	Dayton, Ohio	July 16 – July 20	Larry Kendall, K6NDL
TI – 1	Newington, Connecticut (ARRL)	July 23 – July 27	Tommy Gober, N5DUX

Topics covered in the TI-1 “Introduction to Wireless Technology” workshop include basic electronics, radio science, microcontroller programming, and basic robotics. Among other activities, participants will learn how to solder and practice by building a small project. They’ll also learn basic circuit concepts and learn how to use basic test equipment.

In addition, TI-1 attendees will learn about Amateur Radio, take part in a hidden transmitter hunt, see demonstrations of Amateur Radio satellite communication, and build and program their own simple robots.

The TI-2 “Remote Sensing and Data Gathering” workshop will concentrate on analog-to-digital conversion and data sampling. Participants will receive telemetry from Amateur Radio satellites and apply it to math and science topics. TI-2 participants will also construct a marine research buoy equipped with environmental sensors, build a microcontroller to sample the data, configure it for Automatic Packet Reporting System (APRS) transmission, and receive and upload data to a spreadsheet for analysis.

Holding an Amateur Radio license is *not* required for the “Introduction to Wireless Technology” workshop (TI-1), but one *is* required by those planning to attend the advanced “Remote Sensing and Data Gathering” workshop (TI-2), and applicants to the advanced workshop must have completed TI-1.

The grant to attend a TI covers transportation, hotel, and a modest per diem allowance to cover meals, instructional resources, and a resource library of relevant ARRL publications.

Graduate credit is available through Fresno Pacific University, which may be applied to satisfy professional growth requirements to maintain teaching credentials. The class is self-contained, and participants are expected to be able to complete all requirements during the class time. Graduate credit forms may be requested at the end of the Teachers Institute.

For more information, [contact](#) Ally Riedel at ARRL Headquarters.

[TOP ^](#)



ARES Training Update

Jim Yoder, W8ERW – ARES Data Manager

w8erw@arrl.net

We have certainly had a winter this year. From the reports I have seen, much of the country has experienced a more severe winter than normal. Our local EOC has just sent a weather forecast update which indicates more is on the way and perhaps some significant winter snow conditions for the weekend. I have a couple of really good neighbors who regularly clear the sidewalks up and down my street. They are busily at work often before I decide to get up and start my morning coffee. I never heard them this morning. I do appreciate the neighborly effort. It makes winter much more tolerable.



By the time this hits your desk, we will have the Mansfield Hamfest behind us. I am looking forward to attending this year having missed the last two years while in Texas. Mansfield begins the yearly list of Hamfests and it is a great way to signal the end of winter and the beginning of warmer days much more to our liking. Break out your hat and name badge and head to Mansfield. I hope to see many of you there this year.

The Seneca Radio Club has been teaching a Technician class of 14 perspective Hams for several weeks now and from what I have observed, we have a very interested group who should progress to the final week and successful testing. I will be covering several lessons in March ending with a review prior to the VE session. One of the students comes from our earlier JOTA exercise and it is a blessing to have a young man of 12 years interested in our hobby and obtaining his Amateur license.

Attracting the younger folks has become especially difficult. I do not know the answer to gaining their interest in Amateur Radio, but it is a necessity that we all need to address. I am sure like me, when you look around at the membership and participation in clubs, ARES and other events that we support, the age group represented is largely retired folks. We must begin to solve the mystery and energize our hobby with new and younger members. Do they know the fun they are missing?



FEMA

The last month was big for ARES training as was the month before. We have hit two milestones and before you read this I am confident we will have obtained a third. Late last year we recorded 600 active ARES members who had completed all four of the NIMS required courses. SM Yonally awarded an ARES safety vest then another in January at 625. We are at 648 now and moving quickly towards awarding another vest to the Amateur who comes in at 650. We are also just under 6,000 total courses taken which is a tremendous effort by Ohio Hams. WJ8Y in Tiffin has been working since late last year and has amassed 50 completed courses. Many others have also been submitting additional courses while several have retaken the required courses in order to attend the G-300 and G-400 class which requires completion of the current versions. It is a pleasure to maintain the database and the copies of all those certificates. The response of our Ohio Hams is nothing short of fantastic and I commend each of you for your dedication and effort.

The importance of NIMS training cannot be over emphasized. As time passes, more and more of our served agencies are requiring the training. NIMS, the National Incident Management System, is the framework and structure with which all disaster responses will be driven. And for those who are in a position to respond outside the local area and be a part of the Ohio Responds program, NIMS is required. The benefit however is great. ARES members who are officially called to respond by the State of Ohio EMA, and are registered in the Ohio Responds program will be covered against personal liability. In today's world, this could prove to be a definite and serious advantage. I urge all ARES members to consider signing up with Ohio Responds after you complete the four required NIMS courses. In the event of a significant disaster response, you will be an invaluable resource providing a much-needed service to fellow Ohioans. We as Hams have a unique set of skills as communicators. The let's make it happen attitude and flexible skills we often utilize are an excellent foundation to support our ability to serve effectively.



As always, your Ohio ARRL officials are here to serve your needs and to represent you in Newington. We would be happy to assist you and to listen to your concerns. The arrloho.org web site is an excellent resource to the many programs and activities available to you. ARRL membership is not required and I invite all of you to have a look. You will find current information, news updates and contact details for the different Ohio ARRL functions and the leadership charged with supporting them. If you have questions or need help, please don't hesitate to contact any of us. We are happy to assist you.

Thank you all for making Ohio, the largest ARRL Section great and strong,

73, **Jim, W8ERW**

[TOP ^](#)

From the Official Observer Coordinator

John Perone, W8RXX - OOC

w8rxx@arrl.net

The Ohio OO's monitored a total of 1257 hours in January.

There were 3 - OO cards sent for various issues observed.

73, John / W8RXX

[TOP ^](#)



PRESIDENTS' DAY: THE UNIFORM MONDAY HOLIDAY ACT

The shift from Washington's Birthday to Presidents' Day began in the late 1960s when Congress proposed a measure known as the Uniform Monday Holiday Act. Championed by Senator Robert McClory of Illinois, this law sought to shift the celebration of several federal holidays from specific dates to a series of predetermined Mondays. The proposed change was seen by many as a novel way to create more three-day weekends for the nation's workers, and it was believed that ensuring holidays always fell on the same weekday would reduce employee absenteeism. While some argued that shifting holidays from their original dates would cheapen their meaning, the bill also had widespread support from both the private sector and labor unions and was seen as a surefire way to bolster retail sales.



The Uniform Monday Holiday Act also included a provision to combine the celebration of Washington's Birthday with Abraham Lincoln's, which fell on the proximate date of February 12. Lincoln's Birthday had long been a state holiday in places like Illinois, and many supported joining the two days as a way of giving equal recognition to two of America's most famous statesmen.

McClory was among the measure's major proponents, and he even floated the idea of renaming the holiday "President's Day." This proved to be a point of contention for lawmakers from George Washington's home state of Virginia, and the proposal was eventually dropped. Nevertheless, the main piece of the Uniform Monday Holiday Act passed in 1968 and officially took effect in 1971 following an executive order from President Richard Nixon. Washington's Birthday was then shifted from the fixed date of February 22 to the third Monday of February.

Tools Explained:

(author unknown, but it could be any one of us!)

1. DRILL PRESS: A tall upright machine useful for suddenly snatching flat metal bar stock out of your hands so that it smacks you in the chest and flings your beer across the room, denting the freshly-painted project which you had carefully set in the corner where nothing could get to it.

2. **WIRE WHEEL:** Cleans paint off bolts and then throws them somewhere under the workbench with the speed of light. Also removes fingerprints and hard-earned calluses from fingers in about the time it takes you to say, 'Oh Crap!'
3. **SKILL SAW:** A portable cutting tool used to make studs too short or electrical cords a smaller length. Name does not necessarily imply the intellect of the operator.
4. **PLIERS:** Used to round off bolt heads. Sometimes used in the creation of blood-blisters.
5. **BELT SANDER:** An electric sanding tool commonly used to convert minor touch-up jobs into major refinishing jobs.
6. **HACKSAW:** One of a family of cutting tools built on the Ouija board principle... It transforms human energy into a crooked, unpredictable motion, and the more you attempt to influence its course, the more dismal your future becomes.
7. **WISE-GRIPS:** Generally used after pliers to completely round off bolt heads. If nothing else is available, they can also be used to transfer intense welding heat to the palm of your hand.
8. **OXYACETYLENE TORCH:** Used almost entirely for lighting various flammable objects in your shop on fire. Also handy for igniting the grease inside the wheel hub out of which you want to remove a race bearing.
9. **TABLE SAW:** A large stationary power tool commonly used to launch wood projectiles for testing wall integrity.
10. **HYDRAULIC FLOOR JACK:** Used for lowering an automobile to the ground after you have installed your new brake shoes, trapping the jack handle firmly under the bumper.
11. **BAND SAW:** A large stationary power saw primarily used by most shops to cut good aluminum sheet into smaller pieces that more easily fit into the trash can after you cut on the inside of the line instead of the outside edge.
12. **TWO-TON ENGINE HOIST:** A tool for testing the maximum tensile strength of everything you forgot to disconnect.
13. **PHILLIPS SCREWDRIVER:** Normally used to stab the vacuum seals under lids or for opening old-style paper-and-tin oil cans and splashing oil on your shirt; but can also be used, as the name implies, to strip out Phillips screw heads.
14. **STRAIGHT SCREWDRIVER:** A tool for opening paint cans. Sometimes used to convert common slotted screws into non-removable screws and butchering your palms.
15. **PRY BAR:** A tool used to crumple the metal surrounding that clip or bracket you needed to remove in order to replace a 50-cent part.
16. **HOSE CUTTER:** A tool used to make hoses too short.

[TOP^](#)

Dave Kalter Memorial Youth DX Adventure for 2018

Announcing the 2018 Dave Kalter Memorial Youth DX Adventure trip to the PJ2T site in Curacao. The date is July 19-24, 2018 for a 3 Youth and 3 Adult team. We may expand the team if fund raising permits.

Youths between the age of 12 and 17 with a Ham license and a valid passport are encouraged to apply.

A parent or legal guardian must accompany a youth and does not have to be licensed but is a plus if they are. We would like the youth to tell us a little about themselves and why they would like to go. More details are included in the application.



Applications for the Dave Kalter Memorial Youth DX Adventure are on the web site at <http://www.qsl.net/n6jrl>. The applications can be downloaded in 3 different formats, Word Document, PDF and Fill-able PDF. Deadline for applications is March 17, 2018. There is an email address on the application where you will send the application once it's completed.

I'm sending this out to clubs and individuals that have supported the YDXA in the past and to those I think might be able to encourage youth to apply. Please pass this on to youth that you think would be good candidates for a great DX Adventure

73 de

Ron Doyle, N8VAR, n8var@arrl.net

Jim Storms, AB8YK, Team Leader, ab8yk@hotmail.com

YDXA web site: <http://www.qsl.net/n6jrl>

[TOP^](#)

One Question Questionnaire

There's another NEW – one question – questionnaire on the Ohio Section Website! <http://arrlohio.org> I see that that about 77% of you say that you can read a schematic diagram. That's fantastic! I wouldn't have thought the numbers would have been that high.

Now, on to the next question that's on my mind. Let's see how you answer this...
“Does your cat or dog tell you when it is time to turn off your radio?”



The survey will only take 2 seconds for you to answer it, and you can see how your answer stacks up with others instantly. If you haven't done it yet, please do. I really want to hear from you. Hey... If you've got a question that you'd like to see on our questionnaire, please send it to me!

[TOP^](#)

The Ohio Weekly DMR Net Report

February 14 DMR Net

District 1 – 6	District 5 – 7	District 9 – 7	QNI: 98
District 2 – 3	District 6 – 17	District 10 – 7	
District 3 – 7	District 7 – 13		Time: 43 minutes
District 4 – 16	District 8 – 5	Outside of Ohio – 10	NCS: K8MDA



The reason for conducting this net every week is to make sure that all of our connections to the now ever-growing list of repeaters throughout the state are working as we want them to be.

Interested in being a net control for this net? Contact Duane, K8MDA at: k8mda@arrl.net It's really easy to do and if you're checking in to the net on a regular basis anyway, you're already there! Please, we need volunteers from all over Ohio to do this net. It is important, and I will guarantee this, it's really FUN!!

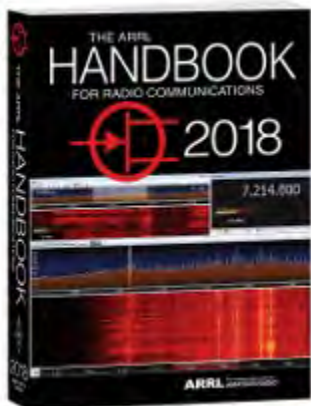
The reason for conducting this net every week and having you actually check "IN" is to make sure that all of our connections to the now ever-growing and changing list of repeaters throughout the state are working as we want them to. Sometimes things don't always work as we expect them to, and testing this system, and ourselves, each week gives us the ability to better understand what can happen during any emergency situation. Come join in on the fun every Wednesday evening at 8:30pm local on the DMR - 3139 talk group!

Don't know which ARES District you're in? Click on this link: http://arrl-ohio.org/SEC/district_map.htm and find your county. You will then see which District you reside in.

You can also find a ton of information about DMR and the most popular DMR Nets on the website: <http://arrl-ohio.org/digital/digital.html>

[TOP ^](#)

The Handbook Give Away



Hey Gang,

Have you registered for the "Handbook Giveaway" drawing for this month yet? If you haven't, go to: <http://arrl-ohio.org/handbook.html> and get registered. You never know, you just may be the next winner!

What's the catch? I want to get everyone checking in to the Ohio Section website as often as possible, and in order to register each month, you have to visit the website often! There's nothing else to it. I pay all expenses, and from time to time, I Give Away more than just a Handbook. You'll never know just what months will be those special times that I will have more than just a Handbook to Give Away!!

Many of you ask me just how do I know when the drawing is on? Well, that's easy all you need to do is check in on the Ohio Section Website on a regular basis and watch for the big **RED** Arrow that will appear on the left side of the page. This is the sign that the drawing is on and you need to get registered. So, keep a sharp eye out on the website and check in often!
<http://arrl-ohio.org>



[TOP ^](#)

Fun Things To Do, Classes & Hamfests Too

(from various newsletters and sources)

Class Instructors - Don't forget to register your classes with the ARRL. It's easy to do. Make sure that you send me that information too! Just think of all of the extra publicity that you'll get for your classes!



>> *Classes starting near you* <<



Get your **Technician, General or Extra class license!** Thursday evenings starting **February 22, 2018** and ending April 5, 2018 at **6:30 pm**. April 5th will be a special VE Test session for all license classes, ARRL fee for this VE test is \$15.00

To register please follow the link at www.2cars.org and complete the on-line application or call 216-524-1750 Bob, W8GC. Classes will be held at the Seven Hill City Hall, 7325 Summit View Dr Seven Hills, OH 44131 in room "C" at 6:30 pm every Thursday.

The entrance is at the East end on the South side of building class fees: Technician \$25.00, all who pass get a free CARS membership for 2018, General and Extra \$20.00 non-members or \$15.00 CARS members, fees include all class materials

The American Legion Post 641 Amateur Radio Club will be hosting a **General Class** crash course on **Feb 25th**, beginning at 10:00 am on both dates with exams to follow immediately afterwards.

Courses will be held at Post 641 in Belle Valley Oh just off exit 28 on I77. The course will be instructed by Sonny Alfman W8FHF. Exams will be conducted by the Laural Valley Group. here is **NO CHARGE** for the exams. Lunch will be served by the club for a small donation. For further information please contact Gary Oliver, Membership Chairman at garyoliver523@gmail.com.

Geauga Amateur Radio Association has two classes coming up, they're being held Friday nights at 6:30PM, and here's what you need to know:

Extra Class: This will be held at the EOC starting on **February 23** and is 12 weeks long. Students are encouraged to purchase study materials. More information:

<http://bit.ly/extra-class>



Technician Class: We are holding a technician class at TriPoint Medical Center, starting **April 6**, for 6 weeks. Lake Health has said they value amateur radio and have asked us to teach a class at their location. Study materials will be loaned to students at no charge. More information: <http://bit.ly/technician-class>

The OH-KY-IN Amateur Radio Society is offering two upcoming licensing classes and a licensing exam session in the Cincinnati Tri-State Area.

A ten-week Amateur Extra license class will start on **February 26th** and run through April 30th. The class will meet on Mondays from 7:00 PM to 9:00 PM at Trinity Lutheran Church, 1553 Kinney Ave., Cincinnati, OH 45231.

A five-week **Tech and General license class** will start on **April 2nd** and run through April 30th. This class will also meet on Mondays from 7:00 PM to 9:00 PM, but at the Greater Cincinnati American Red Cross, 2111 Dana Ave., Cincinnati, OH 45207.

An exam session is being held on the following Saturday, May 5th at 9:00 AM at St Bernard's Centennial Hall, 110 Washington Ave., St Bernard, OH 45217.

For questions or to register, please contact Mike Neihaus - KD8ZLB at kd8zlb@gmail.com.

Contests – Just for the FUN of it!!

February 19

- [Run for the Bacon QRP Contest](#)

February 20

- [Classic Exchange, Phone](#)

February 21

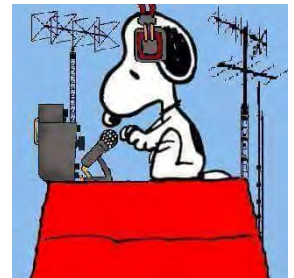
- [QRP Fox Hunt](#)
- [Phone Fray](#)
- [CWops Mini-CWT Test](#)
- [AGCW Semi-Automatic Key Evening](#)
- AGCW Semi-Automatic Key Evening (CW)

February 22

- RSGB 80-Meter Club Championship (CW)

March 3-4

- [International DX– Phone](#)



See the [ARRL Contest Calendar](#) for more information. For in-depth reporting on Amateur Radio contesting

03/04/2018 | Winter Ham Fest

Location: Elyria, OH

Sponsor: Northern Ohio Amateur Radio Society

Website: <http://noars.net>



03/17/2018 | Mid-Ohio Valley ARC Hamfest

Location: Gallipolis, OH

Sponsor: Mid-Ohio Valley Amateur Radio Club

Website: <https://sites.google.com/site/midohiovalleyarc/home/movarc-hamfest>

Find all the Ohio Hamfests in one location? Go to: <http://arrl-ohio.org/hamfests.html>

[TOP^](#)

Ohio Section ARES Conference

Hey Gang, the 2018 Ohio ARES conference will be held **Saturday, April 7** at the Marion Technical College / OSU Marion campus! Doors will open at 8am and the meeting will start promptly at 9am.

We have a great venue with the use of 150 plus seating lecture facility with excellent audio / visuals, and a wide selection of lunch places nearby! This year's keynote speaker is already set, and it's perhaps the most important talk you'll hear all year: Great Lakes Division Director Dale Williams, WA8EFK, has been the chair of a committee working on BIG changes to ARES nationally.

The committee report was accepted at the January Board meeting. Some portions are already being launched. While the report itself needs to go through staff and such, Dale will be telling us the important changes that will be happening to the ARES program. There will be some great opportunities for all of us! So, this is a benchmark year- one you'll be at the leading edge of for sure! We will also have a number of other great speakers that will be there as well! I know that you will find this meeting extremely valuable! You just can't miss it! And, it's FREE!!!

We're asking all of you coming to register so that we can properly prepare for how many will be coming. The link to register is: <http://arrl-ohio.org/SEC/form.html>

[TOP^](#)



ARRL Receives Byrd Antarctic Expedition Morse Key, Historical Materials *(from arrl bulletins)*

ARRL has received from Lynn Burlingame, N7CFO, the donation of a Kilbourne & Clark Morse key that the late Howard Mason (1ID, 7BU, and K7QB) used to let the world know that Rear Admiral Richard Byrd and his crew had overflown the South Pole for the first time during Byrd's 1928 – 1930 Antarctic expedition.





Mason and his 80 colleagues were awarded Congressional Gold Medals for their efforts in establishing the Antarctic outpost “Little America,” the first of a series of bases bearing that name.

Mason was a lifelong radio amateur from Seattle who was an active ARRL National Traffic System participant and manager. In 1923, he relocated to Connecticut to serve as an editor of the ARRL’s journal, *QST*. Mason’s first polar experience was as a radio operator with the Wilkins-Detroit News Arctic expedition that traversed the North Pole by air in 1928. This led to his selection by Byrd to be a radio engineer with his first Antarctic expedition. Mason was co-operator of Little America’s base radio station, WFA, used to keep in contact with the rest of the world.

Mason continued to use the key in his ensuing and varied endeavors. Prior to his death in 1996, he gave the key to Burlingame of Bellevue, Washington, a collector and biographer who generously donated it to the ARRL Heritage Museum. The museum plans to display the key as part of an exhibition tentatively scheduled to open on April 15. The exhibition also will include a large wooden key, engraved with “WFA” and bearing the signatures of some expedition members.

Also on display will be a first edition of Admiral Byrd’s book *Little America: Aerial Exploration in the Antarctic, the Flight to the South Pole* and an album of contemporary newspaper clippings, both part of the Burlingame donation. A complete narrative will be posted to the Heritage Museum Section of the ARRL website.

[TOP^](#)



Final.. Final..
Scott Yonally, N8SY - SM
n8sy@n8sy.com

Hey Gang...

This past week was a busy one for sure. I visited with you at a number of club meetings and breakfast’s, and I represented Amateur Radio in a table-top Mass Casualty / Mass Fatality exercise for all mass care givers and first responders. I ended the week with the Mansfield Mid*Winter Hamfest! Wow, did that week ever fly by fast!

This past week pretty quiet as far as updates to the website was concerned. Thanks to Greg, WD9FTZ there is now a new link that explains about the new JumboSpot / ChinaSpot DMR Hotspot and how it goes together. It’s a really good article, and if you’re interested, Greg tells me that you can purchase one of these little critters for about 1 / 2 of the price of an OpenSpot. I also updated the DMR Net listing, thanks to Greg’s hard work and perseverance as well!

Last week I told you that we found our 650th member! He’s Gary Hardwick, W8EN and now the bar has been set for the **675th person** to receive an ARRL ARES Mesh Vest. Will it be you? We are currently at 660 members and continuing to move forward.

How's about it, I know that there's still a lot of you out there that have not taken the NIMS classes yet. C'mon, what have you got to lose? You're gonna' be stuck inside the house anyway with old man winter blasting away, why not put this time to good use and start your classes now. Here's a link to get you started on your way:
<http://arrl-ohio.org/SEC/training.html>

If you haven't started your NIMS courses yet, why not. The hand writing is on the wall my friends, it just has to happen. There's been way too many incidences where that training was absolutely necessary. The days of just having your license and being enough are coming to a close. We now have to keep up with the times and be trained!

That's going to do it this time around... I'll catch you on down the log for sure, and stay warm my friends, remember the Dayton Hamvention is just 88 days away!!!!

Scott, N8SY...

[TOP^](#)

Chit – Chat, and All That!

Do you know someone that's not getting these Newsletters? Please, forward a copy of this Newsletter over to them and have them "[Opt-In](#)" to start receiving them. Heck, just have them send me an email n8sy@n8sy.com and I'll get them added to the Ohio Section Emailing list. We now have over 6,000 folks receiving these newsletters weekly. Quite impressive, I'd say!



I urge all of you to make sure that everyone, regardless of whether they are a League member or not, get signed up to receive these weekly Newsletters.

You can always "[Opt-Out](#)" at any time if you feel this is not what you were expecting. It's fun and very informative.



All of your favorite past newsletters are now archived so that you can go back at any time and read them. Just go to: <http://arrl-ohio.org/news/>

Got questions, concerns or would just like to sit and chat awhile? Heck, I'll even buy the coffee!! Give me a call at (419) 512-4445 or email me at: n8sy@n8sy.com

[TOP^](#)

-sk-



The Ohio Section Journal (OSJ) is produced as a comprehensive look at all the programs within the Ohio Section. I sincerely hope that you have enjoyed this edition of the OSJ, and will encourage your friends to join with you in receiving the latest news and information about the Ohio Section, and from around the world!