



August Edition

- [From the Technical Coordinator](#)
- [From the Affiliated Club Coordinator](#)
- [From the Section Traffic Manager](#)
- [From the Educational Outreach](#)
- [From the Official Observer Coordinator](#)
- [Handbook Give Away](#)
- [Weather Underground Stations](#)
- [New Ohio Driver's License](#)
- [From the Section Emergency Coordinator](#)
- [From the Public Information Coordinator](#)
- [Out and About](#)
- [ARES Training Update](#)
- [One Question Questionnaire](#)
- [Fun Things To Do, Classes & Hamfests Too](#)
- [Club Corner](#)
- [Ohio's Covered Bridges](#)
- [Final.. Final..](#)



From the Technical Coordinator

Jeff Kopcak – K8JTK TC

k8jtk@arrl.net

Hey gang,

One ham in our section was having WiFi issues on his back deck. Inside was no problem. Outside the house, the WiFi signal was zero. The service provider was contacted, and a technician was sent. On site, the technician tested the line and indoor modem/gateway unit, which is also his WiFi access point. All tested fine.

What does this have to do with ham radio? Nothing. Until the technician said the cause of his WiFi problem was his 160-10m dipole in the back yard. It was very suspicious to the tech and is the cause of his WiFi issues ‘according to their training.’ It got better. Because the tech didn’t have anything like this “suspicious” antenna and had WiFi in his own backyard, this must be the problem of course! This is where I was contacted to consult on the issue.



More likely they are trained that WiFi interference is caused by other sources of RF. This is true. They’re probably trained to spot other nearby transmitting services like police, fire, cell towers, or any building with antennas. Other transmitting equipment will raise the noise floor and may cause interference. The ham didn’t seem to be in the vicinity of other services and this issue was occurring even while he was not transmitting. The suspicious antenna argument was, of course, unfounded.

If you are in the same situation, here are some tips to help determine and solve WiFi problems. Two causes of coverage issues are signal strength or interference. A signal strength problem is most often the culprit where the access point reaches the device, but the device doesn’t have the signal strength to communicate back to the access point. Causes could be distance to the access point or some building material is blocking the signal like metal siding or rebar.

Most obvious solution to resolve signal strength issues is move the access point closer to where you want coverage. If the living room and an office needs the best coverage, locate it in close proximity to those locations. This poses problems if the access point has to be located near a certain phone or cable drop in the house (like the basement) because it also doubles as the modem/gateway from the provider. Carrier issued devices with access points are only “OK” for coverage. Mostly because there are no external antennas. The reason access points have multiple external antennas is for diversity reception and something called "beamforming." Some can detect where the device is located relative to the access point by doing its own version of direction finding. Using multiple antennas, it aims more signal at that device. As ridiculous as the AC5300 access point looks, this is an extreme example of a router capable of beamforming.

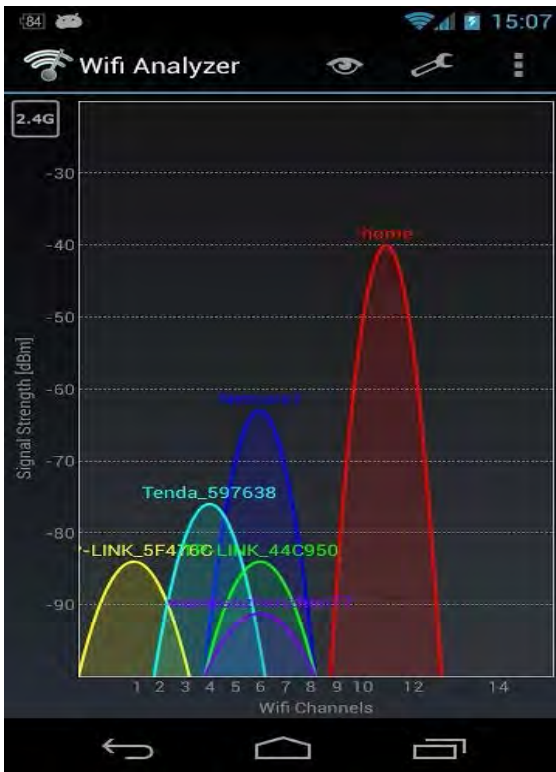


ASUS RT-AC5300

There are two bands for consumer WiFi in the United States: 2.4GHz and 5GHz. The device and access point must have both radios to utilize both bands. Typically cell phones and tablets made in the last 5 years are dual-band WiFi. Other portable devices like laptops probably have both but not always.

The first Raspberry Pi WiFi module I purchased is 2.4 only. While 5GHz offers more channels and is typically 'quieter,' meaning not as many devices and access points, it does not equal coverage of 2.4GHz. 2.4 will have better comparable range.

Interference is another cause of WiFi issues. This could be from another WiFi access point or many access points in an overly saturated environment like an apartment. Since WiFi is low power, anything can easily jam it such as Bluetooth devices and microwaves. In the US, 2.4GHz access points are *supposed to be* on channel 1, 6, or 11. But nothing is stopping anyone from using adjacent channels. Using adjacent channels causes interference. Using channel 4 will interfere with both 1 & 6 because of the bandwidth overlap. Interference is typically seen as a strong WiFi signal followed by a significant drop in signal. Things that can create broadband noise like a noisy power supply/transformer or noisy florescent ballast could be interfering near the access point or area you want to have signal.



WiFi Analyzer (img: Play Store)

Ideal thing to do is a "site survey" with a tool like [NetSpot](#). It will create a signal strength heat map of your access point coverage around the house. There is a free version, but it is limited. Another program that identifies the WiFi landscape (access points, devices nearby, channels used) is [inSSIDer](#) (free version is near the bottom of the page) available for PC and Mac. A similar program to inSSIDer is [WiFi Analyzer](#) for Android. These programs will give relative signal strengths but only at that moment. You could plot the signal strength readings to generate your own heat map.

To relocate a WiFi access point without moving the provided modem/gateway, first disable the WiFi in the carrier provided device. Then run an Ethernet cable to a point as close to the location where coverage is desired. Find any old router with WiFi. Configure the WiFi settings in that router, disable the internal DHCP service, then plug the older router into the Ethernet cable. Though any old WiFi router will work, there have been WiFi vulnerabilities discovered as recently as last month where bad-guys can gain access. Use devices with updated firmware.

Another option is try a WiFi range extender/booster or a look at a better access point. Extenders range from \$20 to a couple hundred. They connect to your existing WiFi like any other device and re-broadcast the WiFi signal without any additional wiring. I'm a fan of ones that accept third-party firmware like Tomato or DD-WRT.

For the ham who contacted me, he decided to go with a range extender available from his carrier and placed it near the back deck. This is the best option as it would be fully supported and could get help setting it up if needed. Note there is a WiFi technical limitation with extenders that can cut transfer speeds. However, for web browsing and HD streaming, you won't even notice any reduction.

Thanks for reading and 73... de **Jeff - K8JTK**

[TOP^](#)

From the Section Emergency Coordinator

Stan Broadway, N8BHL - SEC

broadways@standi.com

HOT NEWS!!!

Northeast Ohio ARES operators were busy as they responded to an activation for damage assessment, and participated in two major exercises all on Wednesday, August 15.

The Youngstown area was hit by weekend storms beginning Friday August 11. ARES District EC Dennis Conklin, AI8P, was notified by Mahoning EC David Brett, KD8NZF, that the county needed help performing damage assessment for a large area. While Dennis made his way to Youngstown, Ohio SEC Stan Broadway, N8BHL, released the call for volunteers from District 5 and District 10 which covered the majority of northeast Ohio counties. Over a dozen ARES operators responded along with a contingent of CERT volunteers from a neighboring county. The volunteers held a short briefing, then began the long task of going door to door to inquire about damages. The surveys continued Thursday, with a morning crew made up of CERT and VOAD volunteers, and an afternoon crew of all ARES volunteers. The assessment was expected to continue.



That call came when other northeast Ohio counties were already involved in two major exercises – one at the Cleveland Burke Lakefront Airport where 6 ARES volunteers assumed the task of tracking patient transport in a multi-casualty drill. The other involved nearby Lake, Geauga and Ashtabula counties as the state conducted an exercise involving the Perry Nuclear Power Plant. More than two dozen amateurs there and 5 at the Ohio EOC's station, W8SGT, followed the day long exercise. Primarily an EOC exercise, each of the counties dispatched some ARES members to different locations as part of the drill.

Two important aspects came to light from this busy day. First, particularly in the middle of a work day, resources were scarce locally. More often we need to approach events on a regional basis. This applies to large events, or activity in counties with smaller ARES population. District EC's must keep up on their area plans! The second is that activations may come nearly instantly- there was no time to plan in advance. This means we must stay ready to go literally on a moment's notice!

Keep 'em Coming!

This is August, and amateur radio continues to serve communities by providing free communications support for any number of events and activities! Over the past month, I've heard some really good operating and net controls - several large marathons around Central Ohio, Pan Ohio Ride, GOBA, Ironman, and any number of events large and small. The benefit to participating can be seen on several levels.

First, obvious, is the service we provide to our communities. Many events still depend on amateurs to make their event run smoothly.

In addition to the routine operational stuff we these days have another larger responsibility- to watch for anything unusual and notify authorities. “See something, say something” starts with us. Has your ARES group trained with safety officials to study behaviors and actions that raise suspicion? We are effective as eyes and ears, but we can multiply our effectiveness with a little training.

Second, also obvious, is our ability to practice for real emergency situations. Will your radios work? Will the repeater actually cover that area? Can your net controls actually drive the net? One of the larger benefits is just to recognize each other on the radio.

I have to admit to out-thinking myself on the issue of ‘professional net conduct’. When I’m on the Hurricane Watch Net, for example, it’s ~all~ about terse, proper prowords, proper procedures. No messing around. That’s how we envision any emergency net to operate, and this is where we’re supposed to get our practice with that. It’s also how we set a good example to safety agencies and the scanning public! But you know, for many events that aren’t world-class, sometimes I find it just as effective to be a little more relaxed. For an event with a half dozen operators, we can still operate on a first-name basis and get the job done. It is completely OK to have fun and enjoy our service. So we just have to use good judgement when it comes to what tone and pace we use...but we always must be ready to snap to ‘full-on professional’ should something happen.

Either approach relies on one thing: YOUR participation!!! We can’t serve if we can’t get people out there with radios. We depend on YOU.

The Changing Times in ARES

The ARES “Strategic Plan” and associated changes (including the release of ARES Connect) were stalled at the July ARRL Board meeting. It won’t be reconsidered until at least January. There is some backlash from some of the sections. Some are miffed because it was sprung as a surprise. Some are just reacting to change. Some are reacting before reading the plan itself. A few are still in the antiquated mindset of, “I have a ham license, I don’t need none of that NIMS training!!” I truthfully am a little appalled by that type of response. That is an attitude which will seal the fate of amateur radio in public service... they simply won’t call any more. The truth is we’re playing on ~their~ field, with their rules and we simply have to prove ourselves worthy to be teammates. That means NIMS. That means IS-213 and other message forms. We in Ohio proved how that works back in 2016 for the RNC/Red Cross/NAACP where we sat at the table with some ~very~ highly placed Homeland people. I am convinced we would NOT have been in that game without proven evidence that we were credentialed and certified to play! So please if you haven’t already, do these things for me:

1. Take the four basic NIMS courses. Register them with the Ohio training database and your EC.
2. PARTICIPATE! We must keep routine training and activities If we’re going to do this right!
3. Talk up ARES with your ham friends! Remind them they are important to us as well.

EC’s- register your county in ARES Connect!! Let’s make it work- it should prove to make our lives easier!

73, Stan, N8BHL

You can view all of the SEC’s monthly reports on the website.. <http://arrl-ohio.org/SEC/default.html>

[TOP ^](#)

From the Affiliated Club Coordinator

Tom Sly, WB8LCD - ACC

tomsly29@gmail.com

I'm going to start this month with last month. Last month I had included a short list of questions and asked that you respond and send me your answers. So far, I've received about 7 responses! I really hoped to do better than that. I promised to report back to you next month (Sept) with what I got back. I will do that, but I would like to have a bigger sample of responses to report on. How about digging that out and sending it to me? I really would appreciate it.

At Hamvention this year, Chuck – W8PT and I went to the DX Dinner on Friday night. We've done that the past couple years and it's always been entertaining. This year their speaker was Gary Dixon – K4MQG, talking about how ham radio was able to provide help for people in all kinds of situations. He talked about how his experience as both a Ham and a Pilot afforded him opportunity to serve. At the Awards dinner on Saturday night, one of the recipients for Ham of the Year, Emilio Ortiz – KP4KEY, talked about putting together an Amateur Radio emergency network after the hurricanes hit Puerto Rico last year. Both were extraordinary examples of the service that ham radio can provide.



But, service to others does not need to be “extraordinary” to be of value to the people being served. In our local clubs we have many opportunities to provide service to our communities and our fellow hams. And while we may not deem a lot of those opportunities as “extraordinary”, their impact on the recipient of that service may be perceived as extraordinary and greatly appreciated!

Back in the 1960's I lived in Fairview Park, OH. Right behind me was Stan Hillman – W8FZS (SK) and across the street was Len Soros – K8AET (SK). These 2 guys took in a 12-year-old kid and spent a lot of time showing him what it was to be a ham. That got the kid hooked, and then they spent the time necessary to teach him what he needed to know to pass the novice test – including the Morse code. These guys are my HERO's, and all it took was a couple of guys willing to spend some time with a kid, other than their own. So, how do you look at “kids” when they come into your club, or your life? Or even when you meet a new, or a young ham, on the air? We talk about the peril Ham Radio is in because we are not growing and bringing in the younger generation. But when they show up, how do you treat them? Up until I got my license I always addressed my neighbors as Mr. Hillman and Mr. Soros. The day my license showed up, I took it to show Mr. Hillman and he told me “you call us Stan and Len now – you're one of us.” The impact of that one statement was extraordinary!

I know some hams who are blind. Every one of them is a pretty interesting guy in their own way. They do things that I don't think I could ever do. We can do a lot as a club to accommodate them to be a part of our club. Most rigs can be modified relatively inexpensively to make them easier to use. A logger can be provided to make sure that function of operating is handled. Probably the most important part is providing transportation to club meetings, events and activities. Maybe even just a guiding hand through a hamfest or a tailgate fest. Making sure they get a plate of food at a club buffet. Help with setting up a station at their home.

There are hams with other sorts of disabilities. Some are physical, some are psychological and maybe even emotional. Some are just broken people who need a place to belong and feel like they are a part of something. No person is disposable, but sometimes we treat some as if they are.

They might slow you down, they might even drive you nuts with their questions or conversation. But so what? It really doesn't take a lot of effort to be nice to people. Maybe a little effort to be nice to some people, but the reward is worth it. All it takes is some simple, easy acts of kindness and you can have an effect on someone's life that is EXTRAORDINARY!

In a club we have lots of officers, committee chairman, people in charge of things. What I'm talking about here is the "culture" of your club. Everyone in the club contributes to that culture. Even without a special class, everyone in your club learns the culture of your club. Everyone is responsible for the culture of your club. You are responsible for the culture of your club! I promise you, the more inclusive your club is, the more inclusive you are; you, your club will be viewed as extraordinary. It's worth the effort.

73, Tom, WB8LCD

[TOP ^](#)

From the Public Information Coordinator

John Ross, KD8IDJ - PIC

john.ross3@worldnet.att.net



FROM THE PIC

The Voice of Aladdin Hamfest in Columbus a few weeks ago yielded a lot of great stories and good news!!!

First, the winners of the 2018 Ohio Section Newsletter Contest were announced and WOW what a contest this year! We had a little math problem with the contest though. Normally there are three winners and an honorable mention...so for those four categories we had seven winners! Using a slide rule, an abacus and a 1970 Radio Shack calculator we finally came up with the winning formula...adding another "place" and doubling up on a couple of categories.

It all worked and was all necessary because there were a lot of quality newsletters and the decisions were very difficult. We also had a first for the contest...a printed newsletter and a digital web-based newsletter tied for second place! It's great to see mixed media competing on the same level...all to the benefit of amateur radio.

I told Ohio Section Manager Scott Yonally it was a good day to be a journalist and a ham...and I'm continually impressed with the all of the newsletters. We communicate on air, on line and in print...a Trifecta of Perfection! Don't forget entries for the 2019 Ohio Section Newsletter contest begin in December...just four months away!

Congratulations to the winners and to all the writers and editors. In case you missed the final results...here they are:

First Place

The RADIOGRAM...Portage County Amateur Radio Service – Tom Parkinson, KB8UUZ editor

Second Place-Tie (*first time a printed newsletter and on-line newsletter have shared an award*)

The Spirit of '76 & '88...Lake Erie Amateur Radio Association – Ken Kane, KG8DN editor

DELARA News...Delaware Amateur Radio Association – Stan Broadway, N8BHL editor

Third Place

Quarter Century Wireless Association...Cleveland Chapter Newsletter – Bob Winston, W2THU editor

Fourth Place

The Exchange...SouthWest Ohio DX Association – Bill Salyers, AJ8B editor

Honorable Mention – Tie

CARA COMMUNICATOR...Cambridge Amateur Radio Association – Lyn Alfman, N8IMW editor

The Voice Coil...Mahoning Valley Amateur Radio Association – Mark Haverstock, K8MSH editor

THE DOG ATE MY BADGE



I overheard a couple of hams talking at the hamfest...but not about equipment or band conditions. One patiently said, with a straight face, he thought he had lost his badge with his name and call sign on it. He looked all over the house and finally found it...under the bed! “I think my dog took it under there to chew on,” he said.

The other guy and I could hardly keep a straight face and as soon as he walked away were laughing so hard we had tears in our eyes!

I’ve heard of dogs chewing on cables, books and homework...but never on an Amateur Radio badge.

Perhaps...wait for it...he wanted to get a ham license so he could do a little... rag chewing on 20 meters!!!!

HAMS HELPING HAMS

Tom Delaney, W8WTD, Vice Director, ARRL Great Lakes Division, talked to the folks at the Ohio Section meeting on August 4th and said, what I thought, were two important points on amateur radio. First, that anyone with minimal knowledge of electronics can study independently and get a ham license. But that person may have trouble getting on the air or staying interested and may not have ever met another amateur radio operator. Tom also shared that when he was teaching ham radio classes at the end of the day he would open the ham shack to the students so they could get a better look and feel of ham radio in operation. They would also be able to talk to licensed hams and learn far more than they could ever expect to know.



Pretty inspirational stuff to me because I know it’s true. There were three hams that inspired and influenced me into amateur radio. That interaction, the knowledge they shared, is still as important today and was over 60 years ago.

When I was seven years old my best friends’ dad invited me into his basement ham shack while he helped tune up a pair walkie-talkies my dad and I built. Ford W. Benbow, N8DCF, showed me more than I could have ever imagined and helped me get my first license. He passed away before I could say THANKS, but his oldest son followed in his dad’s footsteps and today is still a licensed ham in the state of Washington. I reached out to Ford Junior last week and next month I’ll share that conversation with you.

Back 2014 I wrote an article about Columbus ham Paul Herman, W8SF. Paul was 95 the last time I saw him and still an active operator. I met him when I was 10 when dad and I took our TV’s to his repair shop. I’ll never forget the experience, the sounds, flashing light and that unmistakable “electronic” smell that rolled out of every tube-based ham shack.

Paul Herman was a radio man through and through. Paul quietly passed away last March after almost a century of amateur radio. I did get to thank him for the help he gave me, and I will always remember his influence. I know I'm a better ham today because he took the time to share a little ham radio.

Then there was Clay Jenkins, W8HUE, an engineer and church going ham! We met in the sound room at church...both trying to fix an errant PA system that made Ministers sound like high pitched ducks...not a good sound for men of the cloth!

Clay took me under his wing, into his shack and treated me to some of the finer things about amateur radio...contact around the world! His 70-foot tower and beam were impressive but not enough for my parents to let me put one up. He, too, passed away a couple of years ago but not before I could say THANKS.

My whole point here is, first, Tom Delaney was right!... First Contract is as important as the ham license itself. Second, the more we share, help and pass along knowledge the better hams we'll have and better our hobby will become. WOW! I've said a lot! Thanks Tom...I need to listen to you more often!

...and now the great ending to this story. The Columbus hamfest produced at least one new ham...a friend and fellow Army Veteran (we served in the same unit) Dan Merrill now KE8KJX. I'm sure it wasn't all me, but I do talk up ham radio at our monthly Veteran lunches (OK it was all me!). I also know there were other hams talking to and encouraging Dan to take the test. Congratulations Dan...welcome to Amateur Radio.

That's it for this month. Thanks for the emails and calls.

73, John, KD8IDJ



[TOP ^](#)

From the Section Traffic Manager

David Maynard, WA3EZN – STM

wa3ezn@att.net

It was going to be a rain free day so on Saturday August 3rd I decided to go to the Columbus Hamfest. If you didn't get to go you missed a good hamfest. I miss calculated my travel time and was going to be really early, so I stopped in to TJ's restaurant for some breakfast.

Sure enough, it was rain free and a pleasant day. I looked through the flea market twice and did not find anything I could afford or couldn't live without. When it started to get too hot for me I decided to go inside and wait for the ARRL and OSSBN meetings.



At the ARRL meeting there were several speakers and discussions and then it was time for the presentation of the Allan Severson Memorial Award. For those not familiar with The Allan Severson Memorial Award is bestowed on an amateur radio operator in the Ohio Section who has demonstrated a continuing dedication to the advancement of amateur radio and to the Ohio Section. Usually one Ohio Section member is awarded per year and usually at the Ohio Section meeting in the fall. The award had been established in 1992 and was named "Ohio Ham of the Year" until 1999. That year it was renamed after Allan, of Lakewood, Ohio, who had become a silent key in 1997. The award winners are all hams who, like Allan Severson, have dedicated themselves to the advancement of the American Radio Relay League in Ohio.

Although Allan had served the Section as Section Manager and went on to a distinguished career as Great Lakes Division Director on the ARRL National Board of Directors, the annual award announcement only mentions one sentence about him which is part of every memorial award certificate. That sentence quickly demonstrates the reason for the renaming of this award. "Allan's devotion to serve amateur radio inspired a whole generation of Ohio Section leadership."

The 2018 Allan Severson Award Recipient this year was Matt Curtain KD8TTE of Bexley Ohio. Aside from Matt's extensive computer knowledge and professional career he is an Amateur Radio volunteer. Matt provides public service in emergency communications and emergency response. As a amateur radio operator Matt (KD8TTE) carries qualifications and certifications in the FEMA Incident Command System (ICS), National Incident Management System (NIMS), National Weather Service SKYWARN, and is a member of the Franklin County Ohio Community Emergency Response Team (CERT) as well as the Ohio Amateur Radio Emergency Service Mutual Assistance Team (ARES/MAT). Matt is also an NTS traffic handler on both voice and CW nets and is the Net Manager for the Central Ohio Traffic Net.



At the OSSBN meeting the Shriners chose our OSSBN meeting to present John Lehman WA8MHO with an Aladdin Shrine Meritorious Service Award for lifetime achievement in emergency communications, traffic handling and his involvement in the Eye Bank Net from it's inception. John is a life member of OSSBN and this award adds to his many accomplishments. John can be heard checking into the OSSBN meeting daily.

This year the OSSBN had two of their own awards. One was awarded to Bob Zimmerman W8OLO (sk) for his dedication and work during the first half of the year. This is the first time this award has been awarded posthumously. Bob helped many become CW operators and was known to offer the loan of his spare rig to other operators who's rigs had failed. Bob was described on the OSSBN as someone who would travel across the state to help another operator install an antenna or assist with a problem. Bob's signal on the OSSBN got him rated as number one. We miss Bob and this award is well deserved.

The second Garlock Award winner was John Lehman K8PJ. John joined the net at age 16 forty years age and checked into the net and passed his first radiogram on the net from his father's car on the way home from the exam session. John is a dedicated OSSBN member and can be heard checking into the net frequently.

It was stressed that phonetics should be used for callsigns. Also, complete callsigns should be used when checking in and acknowledging stations.

Phonetic Alphabet

Letter to be transmitted	Code word to be used	Spoken as
A	Alfa	<u>AL</u> FAH
B	Bravo	<u>BRAH</u> VOH
C	Charlie	<u>CHAR</u> LEE or <u>SHAR</u> LEE
D	Delta	<u>DELL</u> TAH
E	Echo	<u>ECK</u> OH
F	Foxtrot	<u>FOKS</u> TROT
G	Golf	GOLF
H	Hotel	HOH <u>TELL</u>
I	India	<u>IN</u> DEE AH
J	Juliet	<u>JEW</u> LEE <u>ETT</u>
K	Kilo	<u>KEY</u> LOH
L	Lima	<u>LEE</u> MAH
M	Mike	MIKE
N	November	NO <u>VEM</u> BER
O	Oscar	<u>OSS</u> CAH
P	Papa	PAH <u>PAH</u>
Q	Quebec	<u>KEHBECK</u>
R	Romeo	<u>ROW</u> ME OH
S	Sierra	SEE <u>AIR</u> RAH
T	Tango	<u>TANG</u> GO
U	Uniform	<u>YOU</u> NEE FORM
V	Victor	<u>VIK</u> TAH
W	Whiskey	<u>WISS</u> KEY
X	X-ray	<u>ECKS</u> <u>RAY</u>
Y	Yankee	<u>YANG</u> KEY
Z	Zulu	<u>ZOO</u> LOO

During the OSSBN meeting we talked about the use of 1.888 MHz on 160 meters and the use of remote stations during the winter months when 75 meters goes long during the 6:45 net.

Here is information on a 160-meter antenna. Several of these antennas were built by Bob W8OLO for OSSBN net members. He also provided the information on this antenna to net members.

Inverted L Antenna Info **WH2T Dr. Ace's (SK)**

I have personally used a 160-meter band 1/4 wave inverted L antenna with a Tuner on all bands from 6 meters - 160 meters with very good success. But don't expect this antenna to outperform a large Yagi on the higher frequency bands.

This antenna offers vertical polarization and will usually out perform a dipole antenna at distances of over 500 miles due to its low angle radiation.

Feed 1/4 ~ length of wire at one end with a piece of either 50 or 75-ohm coax. I am using 75-ohms because I had some.

Ground the coax shield to the tower leg base and also connect in other radials and stuff. Be sure and seal the end of the coax against water. Connect the center coax wire to one end of the 1/4 wavelength antenna wire then run the wire up the tower as high as possible and then bend the wire and run it horizontally to a tree or whatever support is handy. Be sure to insulate the wire from the support.

Extend the end of the wire with rope if necessary to reach your support. If you live on a small city lot you can run the wire to one support and then bend it and run it to another if needed.

To determine the approximate length in feet of a 1/4 wave inverted L antenna use the formula $234/\text{Freq in MHz} = \text{length in feet}$. For 160 meters a 1/4 wave antenna resonant at 1.9 MHz would be about 123' 2" long.

For the 75-meter band a 1/4 wave antenna resonant at 3.85 would be about 60' 9" long.

If instead of bare wire, insulated wire is used a 3 to 5% shortening may be required to obtain resonance, due to insulated wire's lower velocity factor. These length antennas may require some pruning or trimming of the wire to obtain a low VSWR.

The vertical portion of the antenna wire need not be a specific distance from the tower but spacing between 12 and 30 inches are suggested.

Do not connect the antenna wire to the tower on this antenna.

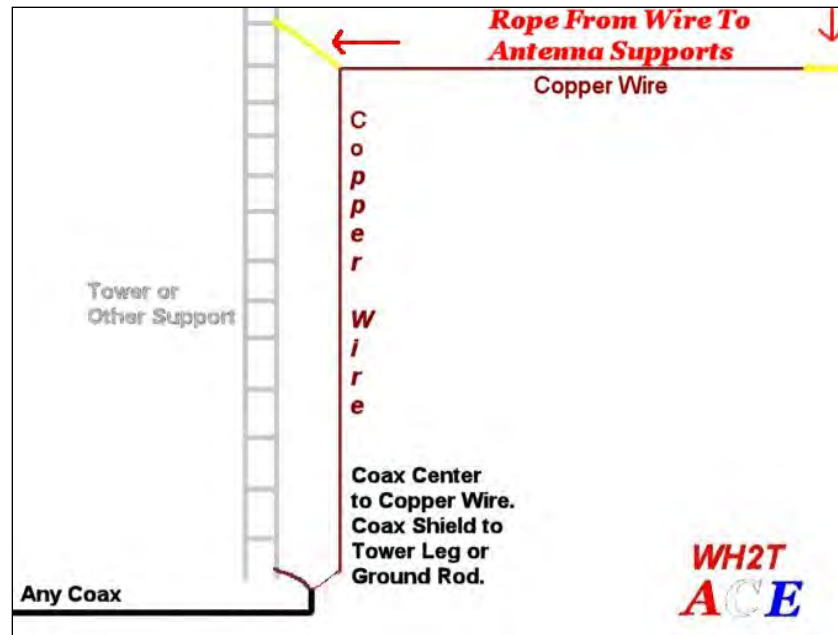
This antenna depends on an efficient ground system for efficient performance. If a perfect ground were located below the antenna, the feed point impedance would be near 36 ohms. In a practical case owing to imperfect ground, the impedance is more apt to be in the vicinity of 50 to 75 ohms.

A single ground rod or group of them bonded together is seldom as effective as a collection of random-length radial wires. Generally, a large number of shorter radials offers a better ground system than a few longer ones. The power company ground can be tied in, and if a metal fence skirts the property it can also be tied in as a part of the ground system.

IMPORTANT NOTE:

End fed wire antennas can develop very high static voltages on them. This static voltage can easily be high enough to knock the front end out of sensitive receivers. To overcome this problem, I suggest you connect a resistor from the coax center to shield where the antenna wire connects to the coax.

Only use a non-inductive resistor, carbon resistors work fine. Don't use wire wound or metal film resistors. The resistance value is not critical. I suggest about a 56K ohm 1/2 watt resistor for receive only or if transmitting with up to 100 watts. If you will be transmitting with high power "QRO", I suggest using about a 1 Meg ohm 1/2 watt resistor.



73 de WH2T, Ace

More on this 160 Meter antenna situation hopefully in the near future. Hear you on the net.

73, David, WA3EZN

You can view the STM's monthly report on the website.. <http://arrl-ohio.org/stm/stm.html>

[TOP ^](#)

Out and About

Lyn Alfman, N8IMW - ASM

lynalfman@aol.com

I attended the Guernsey County ARES training session, the Cambridge Amateur Radio Association covered-dish communications training session, and the Cambridge Amateur Radio Association business meeting. The Ohio Amateur Radio Association had a special event station commemorating Zanesville's Y-Bridge.

In case you haven't heard, the Ohio QSO Party is coming up on August 25 from noon to midnight.



Try to get your club involved (or at least get on the air yourself), so someone in the Grid Chase can work your grid square. It is also a good excuse to have a PARTY. Have a cookout or put a slow cooker to good use and get on the air!

Summer is winding down, and students are headed back to school—many by the middle of August! So, please drive carefully, especially near schools and designated school bus stops. You need to be extra vigilant since the youngsters aren't always focused on their own safety.

So ... be careful and have fun, but above all remember to be "Radio Active!"

'73 de Lyn

From the Educational Outreach – ASM

Anthony Luscre, K8ZT

k8zt@arrl.net

Ham Radio- The Original Maker Movement

How does the Amateur Radio service relate to the maker movement you might ask? In many ways, amateur radio is the grandfather of the maker movement. People have been tinkering and experimenting, building their own equipment and radio stations, all in the quest to communicate with each other for well over 120 years!



Today, the range of things within Amateur Radio to get involved in-- building, designing, inventing, experimenting with and operating is even broader, really only limited by your imagination!

Outreach to Maker & DIY Groups

Recently I had an opportunity to present information on Amateur Radio to a group of teachers attending a Maker Summer Camp. To go along with my presentation, I developed a tri-fold brochure, with a one-page insert, to "market" Amateur Radio to them. You are welcome to download this brochure and/or insert to share with teachers and makers in your area. Here are the links- [brochure](#) and [insert](#).

Please remember I am always available as a resource for you or the educators you are working with. If I am unable to travel to your area of the state, I am just an email (k8zt@arrl.net) or phone call away. I am also available via Google Hangouts to do free video conferencing with teachers & their students or with your local radio club.

73,

Anthony, K8ZT



ARES Training Update

Jim Yoder, W8ERW – ARES Data Manager

w8erw@arrl.net



ARES Training Update

I want to address an issue this month that we all need to be aware of. Most of us while in pursuit of this great hobby of Amateur Radio have at one time or the other gotten involved with some sort of public service event, providing communications support including our time and equipment in doing so. We all do this freely as unpaid volunteers. We do so not to be recognized, but to pay forward and to be of service in a way that we can. However, one bit of recognition is important for us to secure.

There is hardly a bit of our lives that have not now been touched by the advances in technology. Wi-Fi is connecting to a plethora of technology through the “Connected Home” and this isn’t even near the amount of ubiquitous use of direct communications now everywhere in our lives. RF spectrum is in demand from nearly every form of technology that we use and it is growing continuously. How do we justify the generous amount of RF spectrum that we have access to?

We must realize the pressure that is being applied all around us for spectrum allocations. Folks, the commercial interests would eat our lunch tomorrow if they could get away with it. After all, we are just a hobby and to be awarded the use of spectrum in the amount that we have, is coveted to say the least. We simply must do a better job in justifying our existence; else we may lose what we have. It is also an issue of money, big money when the FCC auctions off the right to spectrum and the commercial interests pay dearly for the right to access. The danger to us is real and it is great.

We have been very fortunate throughout time to have our spectrum allocations. A huge part of the justification comes from the public service activities that we perform. If it were not for the Amateurs in congress and at the FCC who understand what we do, this alone would not provide us with the protection of our spectrum. Our argument is weak without supporting numbers. The jeopardy is real and there are no guarantees. Politics can be powerful, and the issue of money speaks loudly. It is imperative that we show our value utilizing the ARRL programs in place to do so. One such is the Public Service Honor Role where the hours we provide in service to many of the activities that we support. Another recent innovation is the ARES Connect program. We in Ohio are one of four sections initially being brought on line. Both of these programs are designed to capture the effort we provide supporting community and public service activities with real numbers.

I urge all of you to become aware of these tools and begin to use them. They ultimately provide solid evidence of the contribution we are making and support our continued use of spectrum. If your ARES group is not making use of both of these programs, please take the time to do so. PSHR also is a personal effort to capture individual contribution. Report those hours and we give Newington the strength to insure we have continued use of our spectrum.



EC Jim Hershberger KE8ERN in Seneca County has been putting some great effort into utilizing ARES Connect. He has really been giving the system a workout by keeping up with the many activities within the county and insuring they are loaded into the system. As we in Ohio are one of the four ARRL sections to begin using the system, Jim is making sure Seneca County ARES is fully onboard and tracking our

ARES activity and hours accurately. Thanks Jim for your efforts to utilize ARES Connect and documenting the many hours Seneca County Amateurs are spending in service to the public.

As recently reported, the ARRL Board of Directors has put forth recommendations for changes in the ARES program. These recommendations are awaiting final approval at this time and our Section Managers and Section Emergency Coordinators now have the opportunity to review them and make additional comments and suggestions prior to final implementation. For the rest of us, any issues and problems should be reported to your local EC for referral to Section Emergency Coordinator Stan Broadway N8BHL and Section Manager Scott Yonally N8SY. Let's all engage this process and insure we have a great ARES program going forward. So how have we been doing with training? The numbers continue to increase for both participation in FEMA training and attainment of level status. I regularly update SM with these numbers for inclusion on the ARRL-Ohio.org web site. We currently have 938 active ARES members reporting training with 726 now NIMS complete, (all four required NIMS courses, ICS-100, 200, 700 & 800). We are now also seeing many additional course submissions for higher levels of participation. Overall, ARES members have completed 6,837 courses, 552 for this year. A fantastic effort continues, and the effort is greatly appreciated.

I am entering all this data into an MS Access database which allows for easy reporting of the statistics and customized reporting for DEC's, EC's and individuals. If you would like to see how your group is doing, please let me know and I will be happy to send you a report listing what I have for your group. The same applies for individuals.

Some notes on submitting your certificates – As you complete any of the FEMA online courses, FEMA will send an email with your certificate. Please forward a copy of that certificate to your local EC and include SM n8sy@neo.rr.com, SEC Broadway broadways@standi.com or myself w8erw@arrl.net in the email. You can save the certificate as a .pdf file to your system and attach it to your email in this format: W8ERW-IS-00100.b.pdf. Send them individually or wait until you have completed all four required courses. Certificates in any readable format are acceptable as well.

Congratulations this month go to KE8HZZ, Ken Edmonds of Fairfield County who was our 725th member submitting his certificates and completing the four required NIMS courses. SM again awarded an ARES safety vest to Ken.

Keep those certificates coming and as a reminder, in addition to the FEMA courses, additional ARES relevant raining is also acceptable for inclusion in the database. Many of our members are taking training classes that have a direct application to our ARES activities. Locally administered training and Red Cross certifications are examples of what we would like to see in the database.

Thanks again to all those who are actively embracing training. Your effort makes the Ohio Section ARES program strong and ready when we are asked to support our served agencies.

Thanks again,

73, **Jim, W8ERW**

[TOP ^](#)

From the Official Observer Coordinator

John Perone, W8RXX - OOC

w8rxx@arrl.net

The Ohio OO's monitored a total of 720 hours in August.
1 Good Operator card was sent.

73, John, W8RXX

[TOP^](#)



One Question Questionnaire

Hey Gang

Wow... **68%** of you answered the questionnaire like me. I really hadn't realized that there were so many like me that still wanted a hardcopy QSL card. There's nothing like getting a card in the mail that came from a distant land. It always makes me feel like I've done something that not many people can do. I still cherish my QSL cards from King Hussein! Now, how many of you can say that!



There's another NEW – one question – questionnaire on the Ohio Section Website! <http://arrlohio.org> Here's the next question.... **“Are you able to speak another language to make foreign contacts on HF??”**

It's all in fun and we are learning some things that we didn't know from these questions. I hope that you are enjoying answering these “ONE QUESTION” questionnaires.

[TOP ^](#)

The Handbook Give Away

Hey Gang,

Have you registered for the “Handbook Giveaway” drawing for this month yet? If you haven't, go to: <http://arrl-ohio.org/handbook.html> and get registered.

What's the catch? I want to get everyone checking in to the Ohio Section website as often as possible, and in order to register each month, you have to visit the website often! There's nothing else to it. I pay all expenses, and from time to time, I Give Away more than just a Handbook.



And, you'll never know just what months will be those special times that I will have more than just a Handbook to Give Away!!



Many of you ask me just how do I know when the drawing is on? Well, that's easy all you need to do is check in on the Ohio Section Website on a regular basis and watch for the big **RED** Arrow that will appear on the left side of the page. This is the sign that the drawing is on and you need to get registered. So, keep a sharp eye out on the website and check in often! <http://arrl-ohio.org>

Hey Gang.. Since Labor Day is on September 03, I'm going to hold a 2nd drawing for another Handbook, if you register now you'll be in both drawings! How can you beat that! Don't waste time, get yourself registered now!

[TOP ^](#)

Fun Things To Do, Classes & Hamfests Too

(from various newsletters and sources)

Class Instructors - Don't forget to register your classes with the ARRL. It's easy to do. Make sure that you send me that information too! Just think of all of the extra publicity that you'll get for your classes!



Classes starting near you

The Original Geeks: An Introduction to Ham Radio Arts & Sciences 1138.22, First year Seminar
Fall Semester 2018 **August 21 – October 8** Tuesdays 3:00 to 4:50 pm Room 24 Derby
Hall – Ohio State University – Columbus Campus



I will be teaching this fall at Ohio State as part of the First Year Seminar series. All incoming first-year (aka freshman) students and transfer students are eligible to register. Please contact me directly if you have any questions. You can contact Larry, K8HTC at: feth.1@osu.edu Department of Speech and Hearing Science 110 Pressey Hall, 1070 Carmack Road

General License Class Being Offered

Start/End Dates: 09/06/2018 - 11/08/2018 - Times: 7-9 P.M. # of Sessions: 9
Class level: General Morse code offered: No **Pre register required: Yes** Fee: \$30 includes ARRL Manual
Pre Study required: No Class Type: Traditional Exam offered: No

Class Location: **Union County Services Building**
940 London Avenue
Marysville, OH 43040

Sponsoring Club/Organization: Union County Amateur Radio Club. Contact: Dennis Lamb, W8ILD at (937) 594-8558 or Email: dennislamb5@gmail.com

Registration will be limited to 25 people. Contact Dennis, W8ILD to register. If the class is full, you can be added to a wait list incase someone isn't able to attend it. **Register by August 24th** so Dennis will have enough time to order the study guides. The Registration Fee can be mailed to:

Dennis Lamb
 175 Tallman St
 North Lewisburg, Ohio 43060

Possible AUXCOM Course Becoming Available

Would you be interested in attending an AUXCOM course at the Franklin County EMA sometime in the future.

Franklin County EC, John Montgomery-N8PVC, in conjunction with the local Franklin County EMA is working to host the AUXCOM course. The critical resource is qualified instructors and finding a place on their schedule.

It is important to understand the demand for this course so that information can be passed to those approving the course. That makes responding to this posting very important. No course delivery dates have been established beyond a target date range that goes through **December 1st**. There is a minimum number of students required to enroll before a course is delivered, generally fifteen.

So please let me know who is interested. Email me at: kb8ymn@sbcglobal.net

Incident Command System (ICS) Training Schedule

All current trainings are listed on the Ohio EMA training calendar located at:
<https://webeoctraining.dps.ohio.gov/TrainingAndExercise/courselist.aspx>

Name	Session	Location	Enroll
L969 Communications Unit Leader (COML)	August 20 - 22, 2018	Lucas County Emergency Operations Center, 2144 Monroe Street, Toledo, Ohio 43604-7122	Enroll
ICS-300 Intermediate ICS	August 24 - 26, 2018	Hocking College, School of Public Safety 3301 Hocking Parkway Nelsonville, Ohio 45764	Enroll
L426 Building a Roadmap to Resilience: Whole Community	August 28 - 30, 2018	Ohio Emergency Management Agency 2855 West Dublin Granville Rd. Columbus, OH 43235	Enroll
L967 Logistics Section Chief	September 10 – 14, 2018	Franklin County Emergency Management and Homeland Security Agency 5300 Strawberry Farms Blvd., Columbus, OH 43230	Enroll

G775 EOC Management and Operations	September 12 - 13, 2018 (Licking)	Newark Police Department 39 S. 4th Street Newark, Ohio 43055	Enroll
ICS-400 Advanced ICS	September 15 - 16, 2018	Hocking College, School of Public Safety 3301 Hocking Parkway Nelsonville, Ohio 45764	Enroll
G-402 ICS Overview for Executives and Senior Leaders	September 18, 2018 (Washington)	Marietta College - Planetarium, 214 4th Street, Marietta, Ohio 45750	Enroll
ICS-300 Intermediate ICS	September 18 - 20, 2018	Franklin County Emergency Management & Homeland Security 5300 Strawberry Farms Blvd. Columbus, OH 43230	Enroll
ICS-400 Advanced ICS	September 20-21, 2018	Franklin County Emergency Management & Homeland Security 5300 Strawberry Farms Blvd. Columbus, OH 43230	Enroll
L984 Task Force/Strike Team Leader	September 24 - 26, 2018	Greater Cleveland American Red Cross (ARC) 3747 Euclid Avenue Cleveland, Ohio 44115	Enroll
OH-101 Developing and Maintaining Emergency Operations Plans (EOP)	26 September, 2018 (Geauga)	Geauga County Dept. of Emergency Services 12518 Merritt Rd Chardon, OH 44024	Enroll
ICS-300 Intermediate for Expanding Incidents	October 2 - 4, 2018	Franklin County Emergency Management & Homeland Security 5300 Strawberry Farms Blvd. Columbus, OH 43230	Enroll
MGT-347 Incident Command Systems Forms Review	2-Oct-18	Franklin County Emergency Management & Homeland Security 5300 Strawberry Farms Blvd. Columbus, OH 43230	Enroll
ICS-300 Intermediate ICS	October 5 - 7, 2018	Robert E. Byer Emergency Operations Center 41859 Pomeroy Pike, Pomeroy, Ohio 45769	Enroll
ICS-300 Intermediate ICS	October 9 - 11, 2018	Kinder Morgan-Pinney Dock Terminal 1149 East 5th Street Ashtabula, Ohio 44004	Enroll
G386 Mass Fatalities Incident Response	October 10-11, 2018 (Jackson)	Jackson Fire Department Annex 166 Pearl Street Jackson, Ohio 45640	Enroll
OH-607 PA Cost Documentation/Damage Assessment Course	October 15, 2018 (Delaware)	Delaware County EMA/EOC 10 Court Street Delaware, Ohio 43015	Enroll
ICS-400 Advanced ICS	October 20 - 21, 2018	Robert E. Byer Emergency Operations Center 41859 Pomeroy Pike, Pomeroy, Ohio 45769	Enroll
ICS-300 Intermediate ICS	October 22 - 24, 2018	Defiance County EMA 22491 Mill Street Defiance, Ohio 43512	Enroll
OH-139 Exercise Design Course	October 23 - 25, 2018 (Franklin)	Franklin County Emergency Management and Homeland Security 5300 Strawberry Farms Blvd. Columbus, Ohio 43230	Enroll
ICS-300 Intermediate ICS	October 23 - 25, 2018	Summit County Public Health Command Room, **Enter at Entrance A 1867 W. Market Street, Akron, OH 44313	Enroll

G290 & G291 Basic Public Information Officer Series	October 24 - 26, 2018 (Cuyahoga)	Cleveland Office of Emergency Management / EOC 205 West St. Clair Avenue Cleveland, OH 44113	Enroll
ICS-400 Advanced ICS	October 29 - 30, 2018	Defiance County EMA 22491 Mill Street Defiance, Ohio 43512	Enroll
ICS-400 Advanced ICS	October 31 - November 1, 2018	Summit County Public Health Command Room, **Enter at Entrance A 1867 W. Market Street, Akron, OH 44313	Enroll
G428 CERT Train-the-Trainer Course	November 2 - 4, 2018 (Ohio EMA)	Ohio Emergency Management Agency 2855 West Dublin Granville Road Columbus, Ohio 43263	Enroll
G775 EOC Management and Operations	November 5 - 6, 2018 (Cuyahoga)	North East Ohio Regional Sewer District 4747 E. 49th St. Cuyahoga Hts, OH 44125	Enroll
L950 Incident Commander (IC)	November 5 - 9, 2018	Newton Township Fire Department 1 Firehouse Drive St Louisville, OH 43071 Access the link for directions: https://goo.gl/maps/V8g1FGEmhKo	Enroll
L388 Advanced Public Information Officer (APIO)	November 5 - 9, 2018 (Ohio EMA)	Ohio Emergency Management Agency 2855 West Dublin Granville Road Columbus, Ohio 43263	Enroll
ICS-300 Intermediate ICS	November 7 - 9, 2018	Seneca County EMA 126 Hopewell Ave Tiffin, OH 44883	Enroll
L956 Liaison Officer	November 8 - 9, 2018	Franklin County Emergency Management and Homeland Security Agency 5300 Strawberry Farms Blvd., Columbus, OH 43230	Enroll
ICS-400 Advanced ICS	November 13 - 14, 2018	Seneca County EMA 126 Hopewell Ave Tiffin, OH 44883	Enroll
L970 Supply Unit Leader Course	November 13 - 16, 2018	Brecksville Fire Department 9023 Brecksville Road Brecksville, Ohio 44141	Enroll
G-289 Public Information Officer (PIO) Awareness Course	November 14, 2018 (Franklin)	Franklin County Emergency Management and Homeland Security 5300 Strawberry Farms Blvd. Columbus, Ohio 43230	Enroll
G290 Basic Public Information Officer Course	November 14 & 15, 2018 (Portage)	Portage County Emergency Operations Center 8240 Infirmiry Road Ravenna, OH 44266	Enroll
OH-101 Developing and Maintaining Emergency Operations Plans (EOP)	15 November, 2018 (Jackson)	Jackson Fire Department Annex 166 Pearl Street Jackson, Ohio 45640	Enroll
OH-606 Recovery from Disaster Workshop	***New Date** - November 15, 2018 (Tuscarawas)	Tuscarawas County Emergency Operations Center 2295 Reiser Rd SE New Philadelphia, Ohio 44663 (308)	Enroll
G288 Local Volunteer and Donation Management	November 15 - 16, 2018 (Franklin)	Franklin County Emergency Management and Homeland Security 5300 Strawberry Farms Blvd. Columbus, Ohio 43230	Enroll
ICS-300 Intermediate ICS	December 3 - 5, 2018	Putnam County Educational Services Center 124 Putnam Parkway Ottawa, OH 45875	Enroll

ICS-400 Advanced ICS	December 10 - 11, 2018	Putnam County Educational Services Center 124 Putnam Parkway Ottawa, OH 45875	Enroll
ICS-300 Intermediate ICS	December 10 - 12, 2018	St. Luke's Hospital - Auditorium B 5901 Monclova Road Maumee, Ohio 43537	Enroll
ICS-300 Intermediate ICS	December 12 - 14, 2018	Mayfield Heights Fire Department (Training Room) 6154 Mayfield Road Mayfield Heights, Ohio 44124	Enroll
ICS-400 Advanced ICS	December 12 - 13, 2018	St. Luke's Hospital – Auditorium B 5901 Monclova Road Maumee, Ohio 43537	Enroll
ICS-400 Advanced ICS	December 19 - 20, 2018	Mayfield Heights Fire Department (Training Room), 6154 Mayfield Road, Mayfield Heights, Ohio 44124	Enroll

Please pay particular attention to these courses listed above, as that there's a lot of ICS 300 & 400 classes listed that are very useful for all Amateurs to have under their belts. I will also state that G775 is also a very good course to take as well. These 3 courses are multiple day in class courses, so please be prepared to spend some time taking them.

I would like to remind any of you that are going to take any of the in-class training sessions that you dress appropriately. Please don't go into these classes with attire that doesn't represent you, and Amateur Radio in the best of light. I'm not setting a dress code, but if you wouldn't take your wife out to a nice restaurant in these clothes, you may want to reconsider what you are wearing. Remember, you will be in class with fire / police chiefs, mayors, township trustees and a whole host of other government and civil officials that will remember how you represented Amateur Radio while you were in these classes together.

Most, if not all of these courses are **free**, but please pay close attention when signing up. There will be a statement of fees if there are any at that time.

We do recognize that IS-300/400 requires multiple days of actual classroom training that is not easily obtained. So, if you just can't find the time to fit these class room courses in, we do have an alternative method for getting you to Level 3. Completing the following **"FREE"** and **"ONLINE"** courses will act as substitute for you FEMA Leadership Development Course requirements. You absolutely will need to complete all **7** of these courses to get your ICS 300/400 credit. Here are the courses that you need to take: **IS-120, 230, 240, 241, 242, 244 & 288.**

[ARRL V.E. Test Sessions](#)

08/20/2018 | [Athens OH 45701-2059](#)
Sponsor: Athens Cty ARA
Location: Red Cross Southeastern Ohio
Time: 7:00 PM (Walk-ins allowed)
[Learn More](#)

08/21/2018 | [Sandusky OH 44870-1926](#)
Sponsor: Sandusky, Ohio VE Team
Location: Sandusky Radio Club
Time: 7:00 PM (Walk-ins allowed)
[Learn More](#)



08/25/2018 | [Hamilton OH 45011](#)
Sponsor: Butler Cty ARA
Location: Fairfield Twp Police Det
Time: 9:00 AM (Walk-ins allowed)
[Learn More](#)

09/01/2018 | [Bryan OH 43506-8410](#)
Sponsor: Williams County ARC
Location: Williams County 911/EMA
Time: 10:00 AM (Walk-ins allowed)
[Learn More](#)

09/01/2018 | [Delaware OH 43015-8533](#)
Sponsor: Delaware ARA
Location: American Red Cross
Time: 10:00 AM (No walk-ins)
[Learn More](#)

09/01/2018 | [Rittman OH 44270-1431](#)
Sponsor: Silvercreek ARA
Location: Rittman Public Library
Time: 9:45 AM (Walk-ins allowed)
[Learn More](#)

Here's also links to other great V.E. testing sites:

[Laurel V.E. Test Locations](#) & [W5YI V.E. Test Locations](#)

[TOP ^](#)

Special Events

- **08/25/2018 | Ohio QSO Party**

Special Event Ohio QSO Party, sponsored by the Mad River Radio Club. Saturday 1200 to 2400 EDT (1600-0400 UTC). For more information, including rules, modes, links and downloads, and certificates, go to: www.ohqp.org

- **09/02/2018 | Great Geauga County Fair**

Sep 2-Sep 3, 1600Z-0500Z, W8G, Chardon, OH. Geauga Amateur Radio Association. 14.225 7.175. QSL. Larry Shimerka, 965 Primrose Dr, Independence, OH 44131. Please include a SASE For QSL card. www.geaugaara.org

- **09/08/2018 | Eleventh Annual Ohio State Parks On The Air – Amateur Radio Contest**

Make sure to mark your calendar for the 2018 Ohio State Parks On The Air (OSPOTA) contest – September 8, 2018. The contest is always held on the first Saturday following the Labor Day holiday. Each year this event has grown, and we anticipate another year of growth with even more participating Amateur Radio Operators.

Let me remind you that the OSPOTA contest was conceived with three main goals in mind:

1. To promote public awareness of amateur radio and Ohio's beautiful state parks system
2. To contribute to the recognition that Ohio has a very diverse and wonderful ecology
3. To promote camaraderie within the ranks of Ohio's Amateur Radio Operators

Your participation has allowed these goals to be achieved. We agree it is a lot of fun to get out in a natural setting with your radio and see how well you can do at working operators in the beautiful Ohio State Parks. **This will be the eleventh annual OSPOTA – Make plans now to be active in OSPOTA 2018.**

The 2018 files are now being posted both on the OSPOTA web site and the OSPOTA Yahoo Group site. Don't forget – we have an OSPOTA Yahoo Group located at: groups.yahoo.com/neo/groups/OSPOTA/info The OSPOTA Yahoo Group page is used for messaging and sharing of information about OSPOTA for all the fans and participants in the OSPOTA contest. The Yahoo Group is where the action is.

Also, since we do allow spotting to encourage more contacts during OSPOTA, Facebook is being used before and during the contest for instant updates and to share stories and photos.

As the contest draws near, we'll be posting on the OSPOTA Yahoo Group page the anticipated 'who's going to be at what Ohio State Park' or 'Planned Park' list as we have in past years. Send your planned park activation information to PlannedParks@ospota.org . Please, include the call sign that will be used and the Ohio State Park you plan to be at. If your plans change, just let us know and we'll update the list.

Notes: Lake White State Park was still out of full opening as of February 17, 2018. We'll keep an eye out and see if it will be re-opened in 2019. Even with all the repair work that has been accomplished, they are still having problems with water levels. Additionally some Ohio State Parks are now being managed by local park systems, but they are still listed and considered to be Ohio State Parks according to ODNR (Quail Hollow & Tinkers Creek).

OSPOTA Questions? Email: INFO@ospota.org When the OSPOTA contest is over, send Logs and Summary Sheets to: Logs@ospota.org

[TOP ^](#)

- **09/15/2018 | Crash of USS Shenandoah**

Sep 15, 1700Z-2100Z, K8S/N8S/W8S, Ava, OH. Cambridge Amateur Radio Association/Belle Valley Amateur Radio Club of American Legion Post 641. 7.235 7.230 7.225. Certificate. Cambridge Amateur Radio Association, P.O. Box 1804, Cambridge, OH 43725. Commemorating the crash of the airship USS Shenandoah. There were three crash/debris sites. Operations will be from the three crash sites using call signs: K8S, N8S, and W8S. www.w8vp.org

- **10/19/2018 | Commemorating 79th. Anniversary of the United States Coast Guard Auxiliary**

Oct 19-Oct 21, 1402Z-1402Z, W8E, Loveland, OH. United States Coast Guard Auxiliary District 8ER. 21.336 7.234. QSL. David Stroup, 6138 Misty Creek Dr., Loveland, OH 45140. cgaux8@yahoo.com

Upcoming Hamfests

09/09/2018 | Findlay Hamfest

Location: Findlay, OH

Sponsor: Findlay Radio Club

Website: <http://www.findlayradioclub.org>



09/22/2018 | OH-KY-IN ARS Hamfest

Location: Cincinnati, OH

Sponsor: OH-KY-IN Amateur Radio Society

Website: <http://www.ohkyin.org>

09/23/2018 | Cleveland Hamfest and Computer Show

Location: Berea, OH

Sponsor: Hamfest Association of Cleveland

Website: <http://www.hac.org>

10/11-14/2018 | Microwave Update 2018

Convention

Location: Fairborn, OH
Sponsor: Midwest VHF/UHF Society
Website: <http://www.microwaveupdate.org>

10/13/2018 | Northwest Ohio ARC Hamfest

Location: Lima, OH
Sponsor: Northwest Ohio ARC
Website: <http://nwoarc.com>

10/28/2018 | Massillon Hamfest

Location: Massillon, OH
Sponsor: Massillon Amateur Radio Club
Website: <http://www.w8np.org>

11/03/2018 | GARC HAMFEST

Location: Georgetown, OH
Sponsor: Grant Amateur Radio Club
Website: <http://garcoho.net>

Find all the Ohio Hamfests in one location? Go to: <http://arrl-ohio.org/hamfests.html>

[TOP ^](#)

Weather Underground and Ham Weather Stations

Hey Gang,

Have you visited the webpage to see all the Weather Underground stations yet? Here's a link to it... <http://arrl-ohio.org/wus.html>



We're starting to get a really good collection of stations all over. I know that there is a lot more than what we have listed. How's about sharing your weather information with all of us!

All that you need to do is send me your Weather Underground ID and your call sign and I'll take it from there. Sent it to: n8sy@n8sy.com I think this will be a lot of fun for sure!

[TOP^](#)

Club Corner

This is YOUR corner of the newsletter. Send me what your club is doing and I'll make sure that it gets in. Got a special event or club project that you want everyone to know about? Send it to me!. Need help with a project? Send it to me.

Let me know what you club is up to. Are you going to have a special guest at your meeting or are you having a special anniversary? Just sent it to: n8sy@n8sy.com



West Virginia Hams Invite All To Meet And Hear ARRL President Rick Roderick, K5UR On August 25

The featured speaker at this year's West Virginia State Convention will be ARRL President Rick Roderick, K5UR. His keynote address will be **Saturday, August 25**, at 11:00 AM as part of the daylong hamfest at historic Jacksons Mill in Weston, also known as West Virginia's state 4-H conference center located off I-79 about halfway between Morgantown and Charleston.



“The Mill” is an easy drive from Virginia, North Carolina, Kentucky, **Ohio** and Pennsylvania. This is Rick's only appearance in the Roanoke Division in 2018. “I've heard so many compliments about this hamfest and the rustic beauty of Jacksons Mill, I can't wait to join everyone”, says Rick.

The hamfest and related events are run by the West Virginia State Amateur Radio Council. Details can be found on its website at: <http://www.qsl.net/wvsarc/>

If you get the chance, don't miss seeing Rick speak!!

LinkedIn Learning is partnering with Ohio's public libraries

(from Ohio District 3 ARES Net News)

Greetings from Clark County, celebrating its bicentennial this year.

On **September 1, 2018** something new will be coming to an Ohio library near you. The website **LinkedIn Learning** is partnering with Ohio's public libraries to provide free online training to anyone who holds a valid Ohio public library card.

This experiment, currently scheduled for three years, will make 6,600 online courses available to those card holders. Of special interest to ARES members may be the hundreds and hundreds of computer courses. Programming languages, IT subjects, computer aided design and many other topics are available now for a monthly fee, but in September the Ohio public library network will begin to cover all costs.

Before September 1st, a one-month free trial is available on the website, which is www.lynda.com . To see the Ohio specific program details, visit the site at www.ohioweblibrary.org/lynda .

As usual, this information will be placed on the www.ohd3ares.org website under Net Info/Training.

Programming Classes to be given at Silvercreek Amateur Radio Association

(from Jason, N8JDM)

SARA is holding a programming clinic for any licensed amateur on **Saturday, October 20th**. The clinic will be held 10 am to 12 noon at the Wadsworth Public Library, 132 Broad St. in Wadsworth Ohio. Experienced hams will lead a presentation and discussion on the following topics:

- Basic FM radio operations

- Basic antenna information including fixed, mobile, and H/T considerations
- Basic repeater operations covering how repeaters work, offsets/splits, CTCSS/PL, Digital Coded Squelch (DCS), Allstar, and Echolink
- Basic concepts in radio programming
- How to program radios from the keypad
- How to program radios using the Chirp software

Following the presentation, experienced hams will be on hand to program radios with a stock list of area repeaters or to help people program their radios with their own equipment. SARA's website has more information at <https://w8wky.org/clinic>.

If you know anyone who would like a flyer to pass out, we have a downloadable one at <https://w8wky.org/wp-content/uploads/2018/07/Programming-Clinic-Flyer.pdf>

Ohio QSO Party and BBQ

(from the Portage County Amateur Radio Service - PCARS)

I received a reminder from the Ohio QSO Party Activity Whip - Dan W8CAR. I thought it was pretty good, so I copied some of it here for you.

Reminder that the Ohio QSO Party is only a few days away. Mark your calendar for **August 25**, Saturday, from noon till midnight EDST (1600Z-0400Z) CW and SSB - work stations on both modes on all bands (except WARC of course)

Here's your chance to be the Hunted and not the Hunter.

Why you should operate:

- 1) Check out the radios we have at the club site.
- 2) Football preseason games are a waste.
- 3) BIG FUN!
- 4) The more activity the better
- 5) Add to your county, mode, band count if you keep records
- 6) BIG FUN!
- 7) Come and have some good BBQ Burgers & Dogs and fellowship with your fellow members. Bring a dish to pass around.
- 8) GET ON THE AIR
- 9) Did I mention "BIG FUN!!!"?

Come on out and help your fellow PCARS members put K8BF (KILO 8 BIG FUN) on the air. We'll keep a light on for you.

Chuck, W8PT
Contest Coordinator

Need Help!

Geauga County Fair

Amateur Radio volunteers are needed to help with public service communications for the Geauga County Fair taking place **August 30th through September 3rd**. If you're interested in volunteering please sign up at the following web site: <https://geaugacountyares.org/fair-signup> or contact Bob Magree N8KBX at rmagree@gmail.com

Need Help!

Mantua Potato Stomp Race

Amateur Radio Volunteers are needed to support communications for the Mantua Potato Stomp Race on Saturday **September 8th**. If you can help out please send an e-mail to Steve K8SRR at steve@k8srr.com or Rick K8CAV at k8cav.com@gmail.com.

Need Help!

Hopkins Airport Drill

We are in need of many volunteers for the Hopkins Airport drill on **Friday, September 14**. We will need at least approximately **25** people to staff this event. Unfortunately, it does take place on a Friday, so we anticipate having extreme difficulty filling these roles. If you are available, **PLEASE** plan to attend and sign up at the link below as soon as possible so we can plan accordingly.



Additionally: Because of the nature of the drill we are going to try to implement **FLDIGI**. It's entirely possible this may be an epic failure, but we've been talking about how helpful it would be for years, so the time to at least try it is NOW. Because of this, the July meeting (July 22 in Independence) will be focused on FLDIGI. If you have the ability to operate FLDIGI or want to learn how, please come. We are going to dedicate the entire meeting to getting FLDIGI set up and practiced with anticipation of being prepared to use it in September.

in

Please plan to bring your radio, computer, Signalink (if that's what you use), and any cables needed to connect the radio to the computer. Because of the nature of the drill, we will **NOT** be doing any acoustic coupling. You **MUST** be able to plug your radio physically into your computer. If you aren't able to do FLDIGI that's OK. We still need your help with the drill.

This will not be an all or nothing scenario. Stations able to pass digital traffic will be able to, but those with only voice capability will also be able to pass the traffic that way. Net control will not be sending info out via digital so no one without digital capability will miss anything. Net Control will simply be "able to accept" digital traffic from those who can send it.

So once again, those who are available for the Hopkins drill **Friday, September 14**, please sign up here: <https://goo.gl/forms/ox9x2xxm9RI97s562>

The Drill is expected to start at 9:00 AM (we will be in place about 8:00AM) and should end by approximately 1:00 PM.

Need Help!

2018 Air Force Marathon. This race will happen on **15 September** this year. We will need 65+ ham volunteers to cover the positions on the course. The race hosts 15,000 runners and uses 2,000 volunteers.



Hams can sign up at: <http://www.usafmarathon.com/volunteer/> (just be sure to choose the Ham assignment). Got Questions? Contact: Phil Verret, KA8ZKR Cell 937-371-3507 or Office 937-255-9983

Help Wanted

Are you E.C. caliber? I want to talk to all of you about becoming an Emergency Coordinator (E.C.) in your county. We are extremely fortunate to have a so many dedicated E.C.'s in Ohio. They do their jobs, mostly behind the scenes and without a lot of fan-fare, but it does come with a lot of self-satisfaction for a job well done. Our ARES program is one of the strongest in the country. The statistics that Stan listed a few months back prove that out for sure!



Now, from time to time we do have openings that need to be filled. In particular, we have openings right now for the following counties:

Allen	Fulton	Henry	Mercer
Paulding	Putnam	Logan	Adams
Clermont	Carrol	Athens	Jackson
Meigs	Perry	Belmont	Harrison
Monroe			

Do you have what it takes to become an E.C. in the Ohio Section? Unlike many other Sections, we are more than just badge wearers for sure! Yes, we do have high expectations, but we do have a lot of fun too. Got questions about what it takes? Call or write me or Stan.

Want to know what it takes to be an E.C. in Ohio? Here's a link for ya'...

<http://arrl-ohio.org/SEC/ARESmanual2015.pdf> Yes, this is a lot of information to absorb and you do have to be an ARRL member, and here in Ohio you are also required to be a Level 2 ARES member before you will be considered for the appointment. Now, is this something that you'd like to do? Let me know. n8sy@n8sy.com

[TOP^](#)

New Ohio Driver's License and Identification Card *(from the Ohio BMV)*

In an effort to ensure greater security and identity protection for customers, and to comply with federal regulations, the Ohio Bureau of Motor Vehicles is introducing the new Ohio driver license and identification (DL-ID) card, **effective July 2, 2018**.

Customers will still go to a Deputy Registrar agency for DL-ID card renewal or other transaction(s), and will have the option to choose a Compliant DL-ID or a Standard DL-ID. The two options will require different identity documents.

Customers will receive their new DL-ID card **in the mail** about 10 business days after visiting a Deputy Registrar agency. An Ohio Interim Identification form will be issued to customers for use, while the new permanent DL-ID card is being processed and mailed. The Interim Identification form will expire 45 days after issuance.

COMPLIANT vs. STANDARD DL-ID CARDS

Effective July 2, 2018, customers have the option to choose between a Compliant DL-ID and a Standard DL-ID. Choose the type of card that works best for you:



COMPLIANT card

Meets national travel security requirements - a federally Compliant form of identification will be required to fly commercially or to access federal facilities or military bases. Obtaining a Compliant card **requires more identity documents** than the Standard Card. You will need to provide documents to prove the following:

- full legal name
- date of birth
- social security number
- proof of Ohio residency
- proof of legal presence

STANDARD card

Does not meet national travel security requirements - a Standard card will need to be used in conjunction with a passport or other acceptable documents approved by the Transportation Security Administration (TSA), in order to fly commercially or to access a federal facility or military base. www.tsa.gov/travel/security-screening/identification.



The Standard card does not require additional identity documents, **unless** the DL-ID is being issued for the first time.

Go to [Acceptable Documents](#) for a full list of the identity documents and use our interactive process to assist you in what to bring to a Deputy Registrar agency.

Both Compliant and Standard cards allow you to prove your identity for tasks like buying alcohol, obtaining social services, or registering to vote. Only a driver's license can authorize the operation of a motor vehicle.

NATIONAL TRAVEL SECURITY REQUIREMENTS

New federal travel restrictions requiring secure identification go into effect October 2020 and Ohio is getting a jump-start on this process beginning July 2, 2018.

- Customers interested in using their state-issued credential for access to federal facilities or services, such as airport security screening by the [Transportation Safety Administration \(TSA\)](#) for boarding commercial airlines, may choose to obtain a Compliant DL-ID card that meets all federal requirements.
- Customers choosing the Compliant DL-ID card, when obtaining a new or renewed license or identification card, will be required to provide documentation proving their name and date of birth, Social Security number such as a Social Security card, birth certificate or passport and two additional documents proving residential address such as utility bills.
- Customers uninterested in or not needing to use their state-issued credential for federal identification purposes will have the option of obtaining a Standard DL-ID card without additional document requirements beyond those currently in place.
- A Standard DL-ID, however, can be used in conjunction with a passport or other acceptable documents approved by the [Transportation Safety Administration \(TSA\)](#) in order to fly commercially or to access a federal facility or military base.

Effective July 2, 2018, customers will receive their driver license or ID card by mail only. Print production of the cards, in a high security printing environment, reduces the potential for fraud and identity theft.

- Your new DL-ID card will be received in the mail about 10 business days after visiting a Deputy Registrar agency.
- Your new driver license or identification card will be mailed in a plain, white envelope.
- To monitor and track your mail, the U.S. Postal Service offers a free service called Informed Delivery. To learn more or to sign up for the service, please visit <https://informedelivery.usps.com>.
- After 21 days, if you have not received your driver license or identification card, visit our website; www.bmv.ohio.gov or call 1-844-OHIO-BMV (1-844-644-6268) to check the status of your card.
- You will receive an Ohio Interim Identification form until the card arrives in the mail.

OHIO INTERIM IDENTIFICATION

The Ohio Interim Identification form will be issued by the Deputy Registrar agency, to the person identified and pictured, as a temporary credential for use while a new permanent driver license or ID card is being manufactured and mailed. Law enforcement will be able to verify the form.

- You must carry this interim driver license or identification card until you have received your new card in the mail.

- Your new driver license or identification card will be processed and received in the mail about 10 business days, and will be delivered in a plain, white envelope.
- The Interim Identification form will expire 45 days after issuance.
- After 21 days, if you have not received your driver license or identification card, visit our website; www.bmv.ohio.gov or call 1-844-OHIO-BMV (1-844-644-6268) to check the status of your card.
- If you have applied for a driver license or temporary instruction permit, this document will allow you to operate a motor vehicle.
- Interim identification is not valid as a stand-alone document when applying for a CDL or temporary CDL instruction permit.
- This interim identification document only serves as confirmation that the application is pending, it is not a form of identification.

Ohio Driver License and Identification cards, issued prior to July 2, 2018, will not be accepted by the Transportation Safety Administration (TSA) after October 1, 2020.

#####

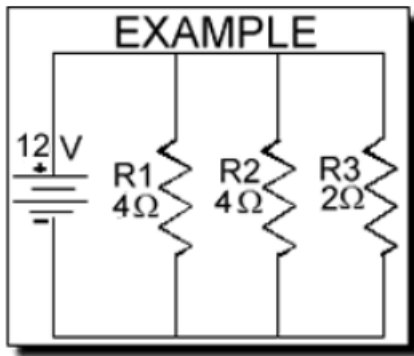
[TOP^](#)

Why can't we add resistors in parallel the same way we would add resistors in series to find the total resistance?

If you put two resistors in series, then the current through them will be the same, and the value of that current is the voltage across them divided by the sum of the resistances. In other words, resistors in series increase the resistance, reducing the current.

If you put resistors in parallel, the current through them divides in proportion to the resistances, and the voltage across them are equal. The overall current must increase, because now there is more than one path for the current to take. So, resistors in parallel decrease the resistance and increase the current.

You can't make a decrease in resistance by adding the resistances together. Instead, you have to add the reciprocals of the resistances, and then take the reciprocal of the result. This follows from Ohm's Law and Kirchoff's Current Law.



Let's summarize this EXAMPLE:

Voltage = 12V R1 = 4 Ohm R2 = 4 Ohm R3 = 2 Ohm

Remember that "Rt" means Total resistance of the circuit. R1, R2, etc. are Resistor one, Resistor two, etc.

Now we will apply the formula above to this example:

$$\frac{1}{R_t} = \frac{1}{R_1} + \frac{1}{R_2} + \frac{1}{R_3}$$

Therefore:

$$\frac{1}{R_t} = \frac{1}{4} + \frac{1}{4} + \frac{1}{2}$$

It is easiest to change the fractions into decimal numbers (example 1 divide by 4 equals .25):

- $1/R_t = .25 + .25 + .5$
- $1/R_t = 1$

Now you have to get rid of the 1 on the left side so...

- $R_t = 1/1$
- $R_t = 1 \text{ Ohms}$

Ohio's Very First Covered Bridge Special Event *(Mike Love, WB8YKS SOARA / ARES PIO)*

The Southern Ohio Amateur Radio Association is on the air at the Scotttown, Ohio covered bridge special event station, W8SOE. Our goal was to be operational by 10 AM for the general public and we exceeded that at 9:30 AM. They were 100% operational on emergency power. They even had a PIO table providing brochures and handouts about HAM Radio.





The following is from Mike Boster, Lawrence County Ohio EMA Director

Each day, in some location around the world, Amateur Radio Operators, a.k.a. Ham Radio Operators provide emergency communications from one point to another. During disasters, when established communications have failed, these men and women are often the ONLY source of communications available. During these times they bridge the communications gap using non-commercial power sources (batteries, generators, etc.) and radios that they can take almost anywhere.

Today, at the historic Scottown Covered Bridge, Lawrence County's last remaining covered bridge,

the County's Ham Radio Club, Southeast Ohio Amateur Radio Association - S.O.A.R.A. - set up several radios to demonstrate their capability to talk back and forth with other Hams across Ohio and in other states who had also set up on historic covered bridges to do the same. The event was a tremendous success, with Hams and citizens participating, each enjoying a great cookout and learning about Amateur Radio.

As the county's Director Of Emergency Management, I am proud of the dedicated women and men of SOARA who stand ready to assist in times of need. Beth and I were honored to be invited to join the event today and to watch our Ham Operators do what they do best...bridging the communications gap whenever and wherever they are needed. Thank you for all you do, SOARA members. **"You're pretty awesome folks!"**



Jamboree-on-the-Air

Jamboree-on-the-Air, or JOTA, is the largest Scouting event in the world. It is held annually the third full weekend in October. This year it will be **October 19th through the 21st**. JOTA uses amateur radio to link Scouts and hams around the world, around the nation, and in your own community. This jamboree requires no travel, other than to a nearby amateur radio operators ham shack. Many times, you can find the hams will come to you by setting up a station at your Scout camporee, at the park down the block, or perhaps at a ham shack already set up at your council's camp.



Tell Me More

Scouts of any age can participate, from Cub Scouts to Boy Scouts and Venturers, including girls. Once at the ham radio station, the communication typically involves talking on a microphone and listening on the station speakers. However, many forms of specialized communication may also be taking place, such as video communication, digital communication (much like sending a message on your smartphone but transmitted by radio), or communication through a satellite relay or an earth-based relay (called a repeater). The exchanges include such information as name, location (called QTH in ham speak), Scout rank, age, and hobbies. The stations you'll be communicating with can be across town, across the country, or even around the world! The World Scout Bureau reported that the 2017 JOTA-JOTI had over 1.5 million Scout participants from more than 160 countries.

When Is It?

Jamboree-on-the-Air this year will be held on **October 19th through the 21st**. There are no official hours, so you have the whole weekend to make JOTA contacts. The event officially starts Friday evening during the JOTA Jump Start and runs through Sunday evening.

How Can I Participate as a Scout?



Contact your local Scout council and see what may already be planned in your area. You can also contact a local ham radio operator or a local amateur radio club. You can find a searchable database of clubs at www.arrrl.org/find-a-club. This website is operated by the American Radio Relay League, the national association for amateur radio, which is cooperating closely with the BSA on JOTA and many other activities.

Your local club may be able to direct you to its planned JOTA activities. These can include ham stations set up at camporees or other events. Or, if there are no planned activities, you can either work with them to get something set up or arrange to visit a local radio operator's ham shack at a scheduled time to participate in JOTA.

How Can I Participate as an Amateur Radio Operator?

Contact your local Scout council and see what may already be planned in your area and how you can help. You can find your council using [the Council locator](#). Is your club going to participate?

[TOP^](#)

Final.. Final..

Scott Yonally, N8SY - SM

n8sy@n8sy.com



Hey Gang...

My O' My... What another week this has been! It's been a busy one for sure! In the middle of the week I went to Active Shooter Training. It was a real eye opener for sure. I learned a lot and even though I've been in many defensive shooter classes that had me hiding behind cover shooting at my objectives. I've even been on a good guy / bad guy range where targets pop-up at me and I had only a split second to decide if they were a good guy or a bad guy. This week's Active Shooter training really opened my eyes as to how vulnerable we all really are to these types of attacks today. I really have to give a big "thanks" to the Ross County Sheriff's Office, Chillicothe Police Department and the Ross County Safety Council for all the work that they did for our safety and realism of the training. It still gives me a little shiver when I

think of all the situations that I've been in that could have been really dangerous. I want you all to know it's not just guns, but knives, ice picks, and yes, even cars and trucks! We all have to be very aware of our surroundings and just what will we do if placed in a situation that goes very bad. Do you run? Do you hide? Or, do you fight! It truly all depends on the situation at the time. Do you know how to take care of massive bleeding? What will you do if an attacker comes into a store that you are in and causes mass casualties? Do you hide? Do you run? Do you find a weapon and fight? These are all things that you need to be aware of everywhere you go today.

Now.. On to some other items.. I had a blast going to all of the club meetings, breakfasts and picnics this past week. I did get to speak to the folks at the Silvercreek ARA meeting last Thursday and had lots of questions from the group. It was really great!

As I announced in last week's edition of PostScript, the new ARES Program changes are on hold until they can acquire additional input **from all of the Section Managers and Section Emergency Coordinators** around the country. We have until **October 31st** to get our input into the Committee. **Here's your chance to have some input to all of this.** Send me your input to any possible changes that you may have about the new system. I will forward them to the Committee. I did get several good suggestions that I will add with my comments. There's still some time to gather more input from YOU..

We do have a few rules that you need to be aware of...

- Please be concise and to-the-point in your responses.
- Bear in mind that each member of the working group has been sincere and dedicated to the redesign of ARES, so please be respectful in your responses.
- The framework of ARES must remain as close to universal as possible, even with the recognition that some geographical areas may require certain specific training that others do not need.
- The understanding that specific agency agreements and needs must be honored.
- Mutual aid pacts may require training specific to adjacent jurisdictions.
- If you have a concern about a new policy, be prepared to offer an alternate.

Please keep the comments civil, and constructive. Send them to me at: n8sy@n8sy.com

Here in Ohio we can ill afford not to be trained. We have been asked to work in some very unique situations with our partners in the past several years, and most of their confidence in us started with the knowledge that we have been trained in their systems. If we expect to keep moving forward with them, we have to keep demonstrating to them that we are serious and are willing to get training!

On this same subject, some of you noticed that you can acquire your Level 3 by substituting your ICS 300/400 with the following NIMS courses. Completing the following “FREE” and “ONLINE” courses will act as a substitute for you FEMA Leadership Development Course requirements. You absolutely will need to complete all 7 of these courses to get your ICS 300/400 credit. Here are the courses that you need to take:
IS-120, 230, 240, 241, 242, 244 & 288.

Hey, speaking of training, how’s yours going? As you saw above, I’m still working on my training! Are you?

Let’s not forget that it is going to be a very important part of what we do **from now on!** We want no one left behind, or not credited for the courses that you have taken. Just go to:
<http://arrl-ohio.org/SEC/special/ICS%20Complete%20by%20County%20and%20Name.pdf> and make sure.
(Just so you know, it’s listed by county.)

Now, don’t forget that your ICS certificates aren’t the only things we’re looking for either. If you have Basic or Advanced First Aid, CPR or AED training, it’s also very valuable in the field as well. And, don’t forget about the newest training out there, “**Stop the Bleed...**” This one is really good, and it’s something that you can use no matter where you are. These courses are not only useful for you in the field, but you’d be surprised how they can help you around the house as well. Remember, most accidents happen within 25 miles of you home! And YES, my accident last year happened within that 25-mile radius. You need to be prepared!

Hey.. Did you read W8ERW’s report? We did get that 725th person and he did get the ARRL ARES Mesh Vest! Let’s all congratulate Ken Edmonds, KE8HZZ for becoming the 725th person...

We’re not stopping there... Let’s see if we can get to **750** persons with all 4 of their NIMS courses in!

That’s going to do it for this time around. Stay safe, and most of all... have FUN!!

[TOP ^](#)



Who Has Been Licensed The Longest?

OMG.. That’s my reaction to all the emails I got from you. I got way more than I ever thought I would. I am amazed at the level of experience that we have here in Ohio. Ok, now here’s what’s come in. I’ve had numerous emails with folks telling me that they’ve gotten licensed in the early to mid 1950’s, but the winner so far is.... **Ray Hurlbut, W8FLX** – who (according to Jack, AE8P) was first licensed in March of 1939.

So, with that information we will ask... Is there anyone out there that has been licensed longer? Let's see.. Send me the information n8sy@n8sy.com



—The recent passing of George Shaffer, W8NTX, has raised an interesting question. Who in Southern Ohio has continuously had a ham license the longest? Since Bill “Doc” Terrell, W8NTZ, got his ticket the same time that Mr. Shaffer did and is only one letter removed from Shaffer’s call sign, it would stand to reason Doc may now have the honor. Doc was a student of Shaffer and was licensed while still in high school. He thinks he has been licensed 66 years. Does someone know of someone licensed longer than that? (from the Monday Morning Memo)

[TOP^](#)

Back Issues of the PostScript and Ohio Section Journal (OSJ)

Hey, did you know that PostScript and Ohio Section Journal (OSJ) are archived on the website? You can go back and look at any edition simply by clicking:
<http://arrl-ohio.org/news/index.html>



Chit – Chat, and All That!

Do you know someone that's not getting these Newsletters? Please, forward a copy of this Newsletter over to them and have them “[Opt-In](#)” to start receiving them. Heck, just have them send me an email n8sy@n8sy.com and I'll get them added to the Ohio Section Emailing list. We now have over 6,000 folks receiving these newsletters weekly. Quite impressive, I'd say!



I urge all of you to make sure that everyone, regardless of whether they are a League member or not, get signed up to receive these weekly Newsletters. You can always “[Opt-Out](#)” at any time if you feel this is not what you were expecting. It's fun and very informative.

Hey, did you know that PostScript and Ohio Section Journal (OSJ) are archived on the website? You can go back and look at any edition simply by clicking:
<http://arrl-ohio.org/news/index.html>

Got questions, concerns or would just like to sit and chat awhile? Heck, I'll even buy the coffee!! Give me a call at (419) 512-4445 or email me at: n8sy@n8sy.com

[TOP^](#)

The Ohio Section Journal (OSJ) is produced as a comprehensive look at all the programs within the Ohio Section. I sincerely hope that you have enjoyed this edition of the OSJ, and will encourage your friends to join with you in receiving the latest news and information about the Ohio Section, and from around the world!